

## Process for Lupus Anticoagulant Testing

---

**Introduction** This process outlines the steps for performing the Lupus Anticoagulant algorithm and cascade of tests

---

**Scope** The intended users are Clinical Laboratory Scientists and management team of the Special Coagulation Department.

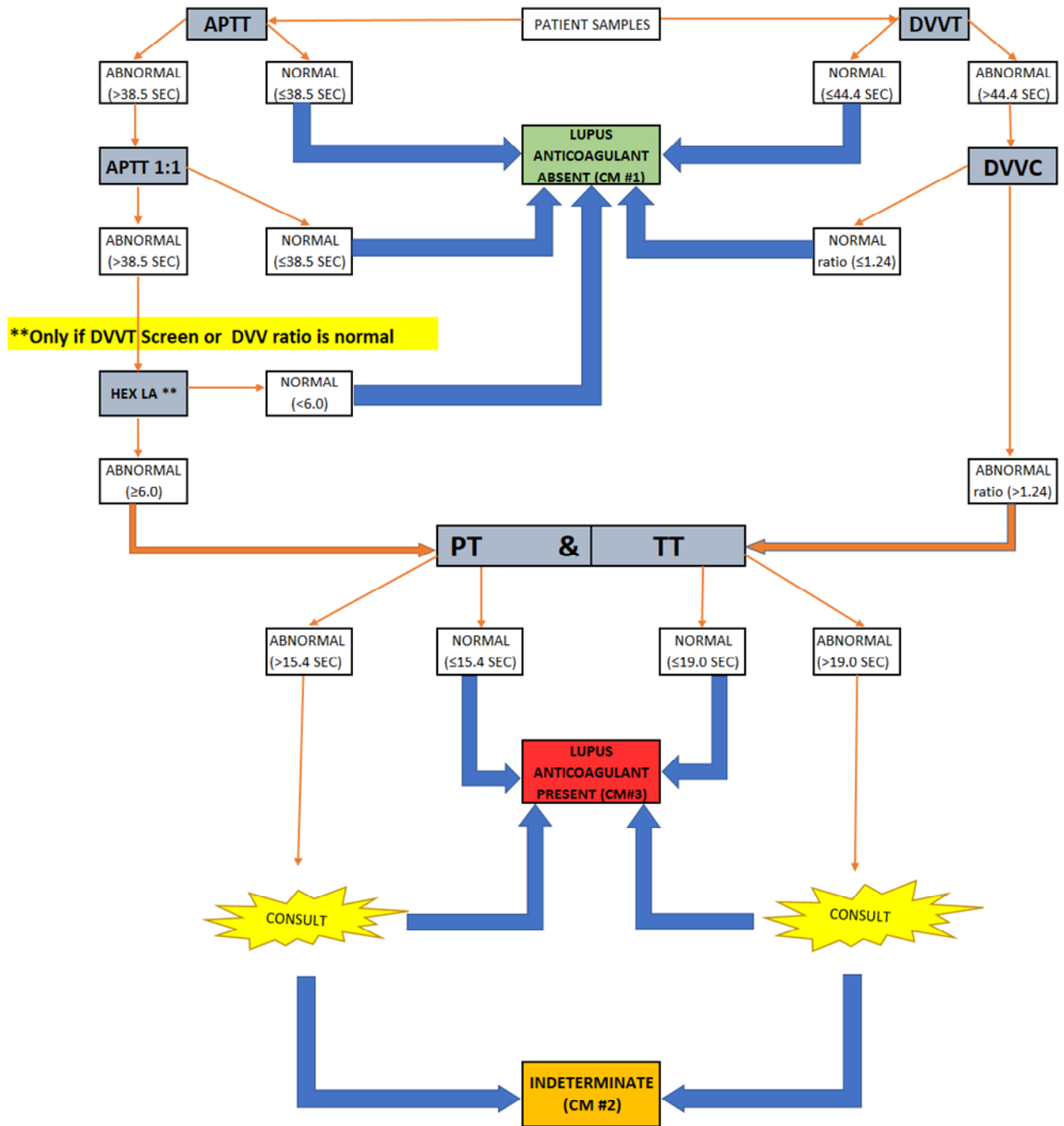
---

**Process** Follow the flow diagram below to perform the Lupus Anticoagulant testing

---

*Continued on next page*

## Process for Lupus Anticoagulant Testing, Continued



## Process for Lupus Anticoagulant Testing

---

### Canned Messages (CM):

1. **Absent** - Lupus Anticoagulant not detected. However, where clinical suspicion for Antiphospholipid Antibody Syndrome is high, it may be appropriate to order Anticardiolipin Antibodies and Beta-2 Glycoprotein 1 Antibodies.
2. **Indeterminate** - Results are indeterminate for Lupus Anticoagulant. Interference is often seen from anticoagulation therapy. Anticoagulant therapy (e.g., heparin, LMWH, warfarin, dabigatran, rivaroxaban, apixaban, etc.) should be discontinued prior to ordering this test.
3. **PRESENT** - Lupus Anticoagulant is present. If clinically indicated for work-up of Antiphospholipid Antibody Syndrome, we suggest repeat testing at or beyond 12 weeks to determine if the Lupus Anticoagulant is persistent.

**Non-Controlled Documents**    The following non-controlled documents support this process.

- Manufacturer’s directional inserts
- 

**Controlled Documents**    The following controlled documents support this process.

Procedure	
Document Number	Document Name
RRL-PPP-1262	Procedure for Determination of Activated Partial Thromboplastin Time (aPTT) On Star Max Systems
RRL-PPP-1263	Procedure for Determination of Prothrombin Time (PT) on Star Max Systems
RRL-PPP-1264	Procedure for Dilute Russell’s Viper Venom Time on Star Max Systems
RRL-PPP-145	Procedure for CRYOcheck Hex LA
RRL-PPP-1271	Procedure for Thrombin Time on Star Max Systems

---

**Author**    Gene Usher, Operations Manager, Esoteric Chemistry & Special Coagulation

---

**Distribution**    • Special Coagulation Department

---