

# Technical Bulletin

ORTHO VISION® Max Analyzer for ORTHO ID-MTS™ Gel Cards

Pub. No.: J68404EN  
Issued: 2021-02-26

## Probe – Removal and Installation Procedure

### 1 Purpose

This technical bulletin provides important information regarding the below Procedures:

- Probe – Removal procedure
- Probe – Installation procedure

### 2 Applicability

This Technical Bulletin is applicable for the ORTHO VISION® Max Analyzers for ORTHO ID-MTS™ Gel Cards.

### 3 Changes to User's Guide

The next version of the Self-Service Customer Procedure Guide will be revised to include the information within this bulletin:

- Self-Service Customer Procedure Guide J55659EN: ORTHO VISION® Max Analyzers for ORTHO ID-MTS™ Gel Cards

### 3.1 Probe Removal

#### WARNING:

The system processes potentially biohazardous materials. Operate the system in compliance with your laboratory procedures for handling biohazardous materials, and in accordance with the procedures defined by the appropriate national biohazard safety guidelines or regulations. Equipment operators should wear personal protective equipment and follow applicable regulatory agency safety guidelines.

#### IMPORTANT:

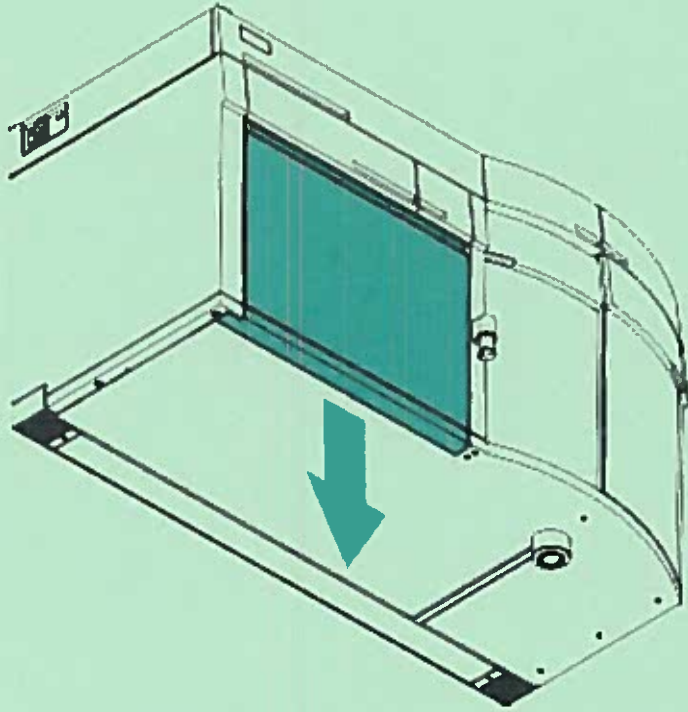
This procedure is included in the Instrument Probe Replacement (maintenance task), which is accessed through the maintenance screen. This task must be completed using the system software.

#### IMPORTANT:

If this task is performed without using the self-guided procedure accessed in system maintenance; the system must be shutdown prior to performing the task. Have this procedure available prior to shut down, and schedule accordingly.

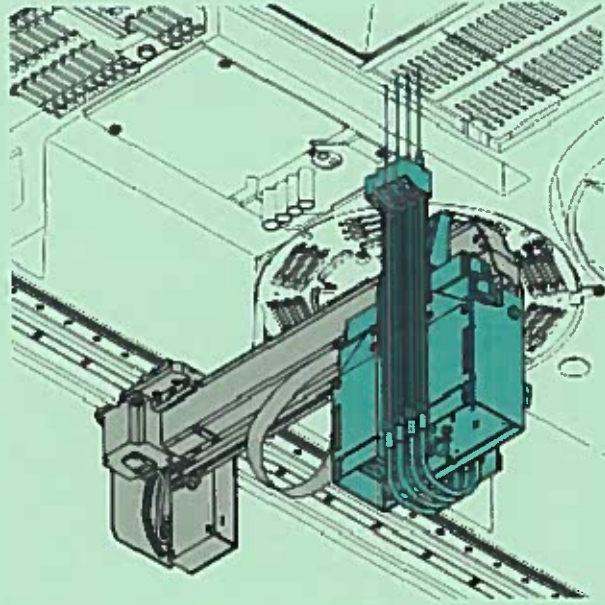
Note: This procedure may be performed on an individual probe.

1. Open the Maintenance Door.



2. Empty the Waste Tray.

Note: If replacing the Probe with the instrument powered off mode, confirm the Probe is above the Review Rack to prevent the Retaining Nut from falling into the instrument. If replacing the Probe from system maintenance mode with the instrument powered on, the system automatically aligns the Probe over the Review Rack.



**Caution:** - Do not use a tool to remove the Retaining Nut.

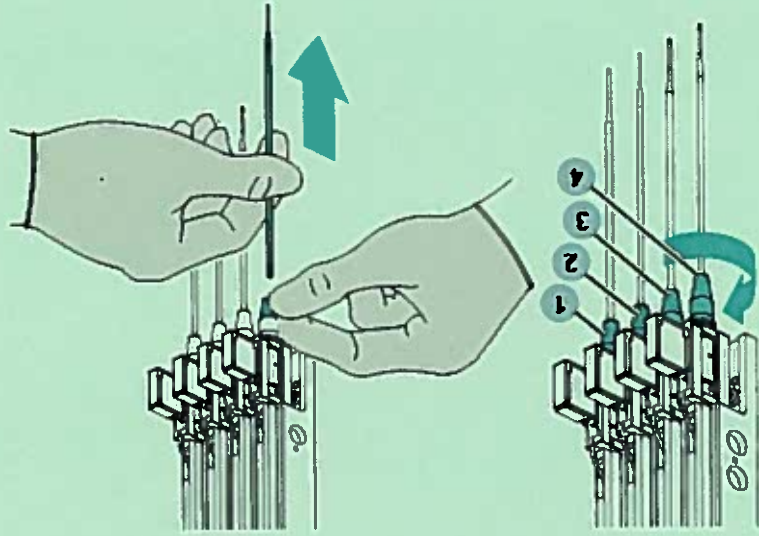
- Use care not to drop the Retaining Nut into the system.

3. Use your hands, and if necessary, a clean, lint-free cloth to remove the Retaining Nut

1

**WARNING:** The tip of the Probe is sharp.

4. While holding the Tubing 2, gently pull down 3 and remove the Probe.



5. If necessary, clean the Retaining Nut and Probe with DI water.

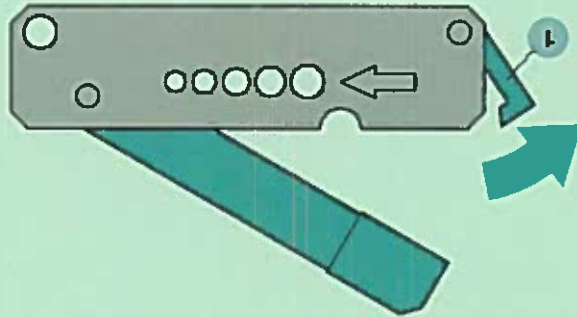


3.2 Probe Installation

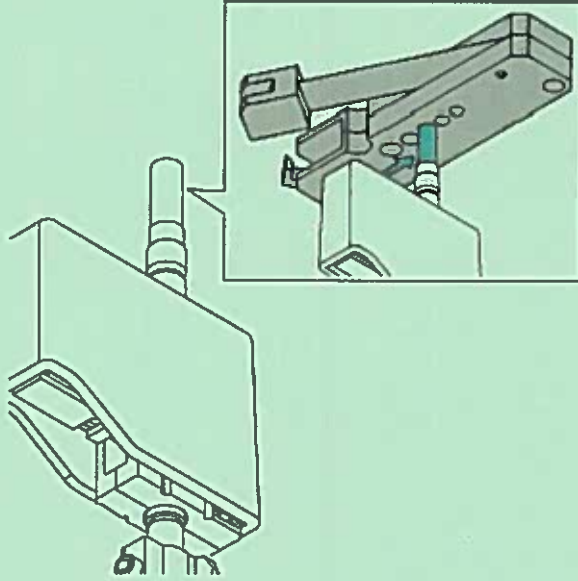
Special Tools: Tube Cutter Tool from ORTHO VISION Spare Parts and Tool kit.

**WARNING:** The blade on the Tube Cutter Tool is sharp.

1. To open the Tube Cutter Tool, grip the center of the tool and pull the release lever down.



2. Hold the Tube Cutter Tool with the arrow on the top and feed the tubing through an appropriately sized hole until the tubing is flush with the bottom of the tool. Carefully close the tool to trim the tubing.



**WARNING:** The tip of the Probe is sharp.

3. Hold the Tubing and push the Probe into the Tubing, about 6 mm, while turning the Probe to the right. Check the tubing for kinks.

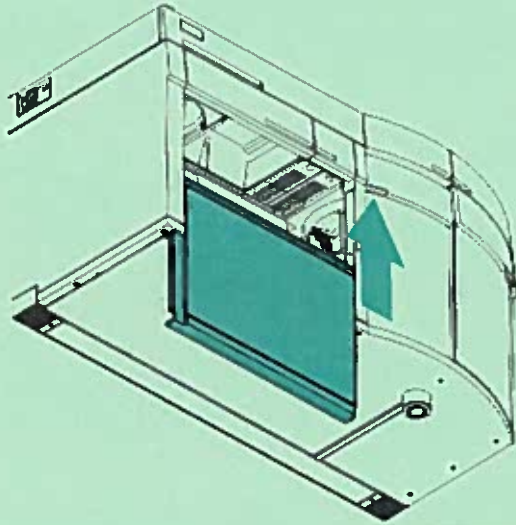
4. Carefully slide the Retaining Nut over the Probe into position.

5. Tighten the Retaining Nut.

**Caution:** Refer to the Reference Guide for a description of acceptable cleaning solutions.

6. Gently wipe down the Probe with the appropriate cleaning solution and a lint-free cloth.

7. Close the Maintenance Door.



**Note:** The software will initiate the following maintenance tasks:

- Probe Adjustment
- Pump Test

**Caution:** Check the condition of the Tubing and verify the following:

- The Tubing is properly connected and secured.
- The Tubing is not pinched and has no bends or twists. This could prevent liquid from reaching the Pipette.
- There are no leaks in any of the Tubing or connections.

If any of these conditions are not verified, repeat the steps of this procedure.

## 4 Storing this Bulletin

Place this bulletin in the front section of your ORTHO VISION® Max Analyzers for ORTHO ID-MTS™ Gel Cards Self-Service Customer Procedure Guide (J55659EN)

Ortho-Clinical Diagnostics, Inc.  
1001 US Route 202  
Raritan, NJ 08869-0606  
Pub. No.: J68404EN  
All trademarks are registered to  
Ortho Clinical Diagnostics  
© Ortho Clinical Diagnostics 2021

