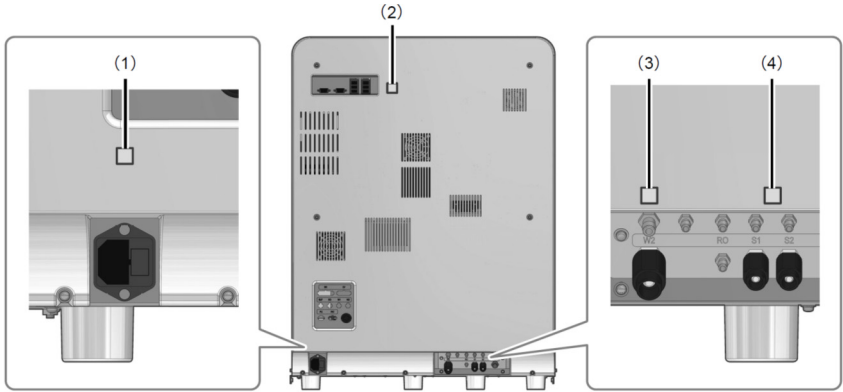
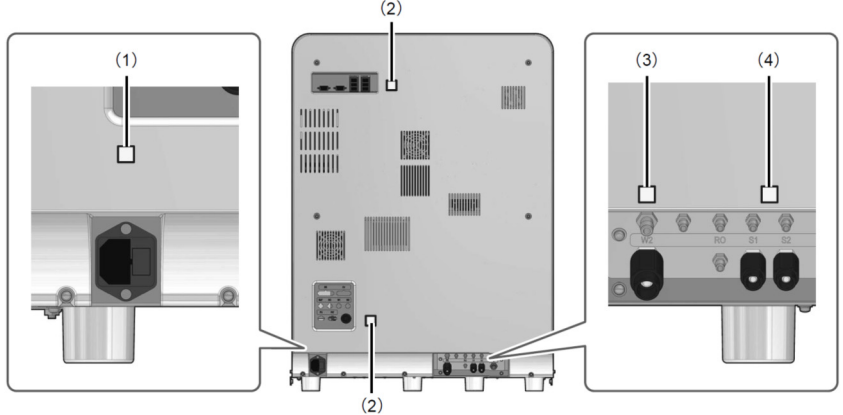


SP-50 Instructions for Use Errata Sheet

General Information

Page	Description
26	<p data-bbox="416 443 823 477">Chapter 2 Safety Information</p> <p data-bbox="416 495 523 528">Correct</p>  <p data-bbox="416 972 544 1005">Incorrect</p> 

Troubleshooting

Page	Description												
109	<p data-bbox="416 371 743 405">Chapter 2 Maintenance</p> <p data-bbox="416 465 1011 499">2.18 Maintenance and inspection checklist</p> <p data-bbox="416 517 1302 595">The following should be added to [Reagents and supply parts replacement].</p> <table border="1" data-bbox="427 633 1329 759"><thead><tr><th data-bbox="435 645 962 689">Maintenance task</th><th data-bbox="962 645 1142 689">M/D Signed</th><th data-bbox="1142 645 1321 689">M/D Signed</th></tr></thead><tbody><tr><td data-bbox="435 701 962 745">Replacing the spreader glass</td><td data-bbox="962 701 1142 745"></td><td data-bbox="1142 701 1321 745"></td></tr></tbody></table> <p data-bbox="416 801 1302 835">The following should be added to [Weekly maintenance task].</p> <table border="1" data-bbox="427 873 1329 999"><thead><tr><th data-bbox="435 884 962 929">Maintenance task</th><th data-bbox="962 884 1142 929">M/D Signed</th><th data-bbox="1142 884 1321 929">M/D Signed</th></tr></thead><tbody><tr><td data-bbox="435 940 962 985">Wiping off spreader glass dirt</td><td data-bbox="962 940 1142 985"></td><td data-bbox="1142 940 1321 985"></td></tr></tbody></table>	Maintenance task	M/D Signed	M/D Signed	Replacing the spreader glass			Maintenance task	M/D Signed	M/D Signed	Wiping off spreader glass dirt		
Maintenance task	M/D Signed	M/D Signed											
Replacing the spreader glass													
Maintenance task	M/D Signed	M/D Signed											
Wiping off spreader glass dirt													

The following should be added to "Chapter 2 Maintenance".

Replacing the spreader glass



Risk of infection

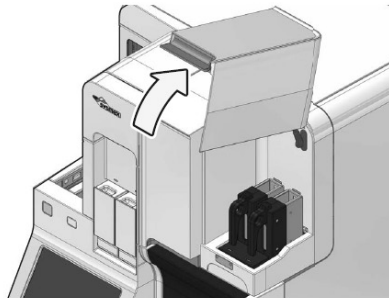
Be sure to wear adequate personal protective equipment, such as protective gloves, a protective mask, protective eyewear, and a lab coat when working. Wash your hands with antiseptic solution after completing the task.
There is a risk of infection.

1 Shut down the instrument.

For the shutdown procedure, see "Basic Operation".
(▶ Basic Operation "Chapter 1: 1.3 Shutdown")

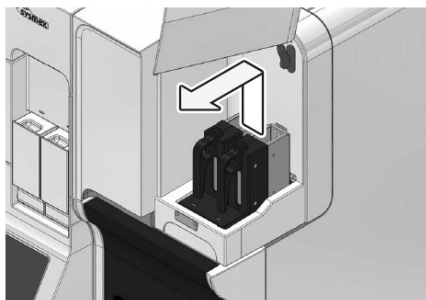
2 Open the slide set unit cover.

Lift the cover up until it locks into place.



3 Remove the slide supply cassette from the slide set unit.

Remove both the left and right slide supply cassettes.

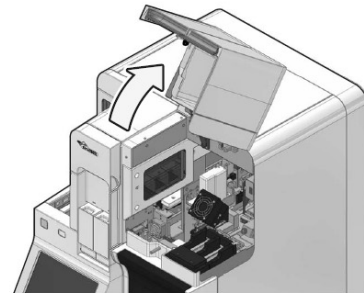


4 Close the slide set unit cover.

Lightly press the cover to unlock and then close the cover.

5 Open the smear unit cover.

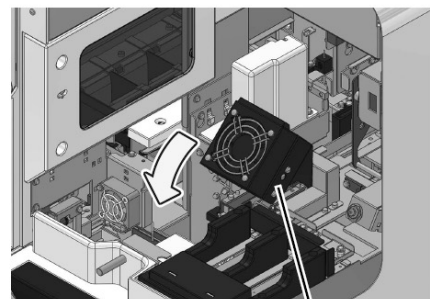
Lift the cover up until it locks into place.



Warning

Be sure to open the smear unit cover until it locks in place.
Otherwise the cover may fall and cause injury.

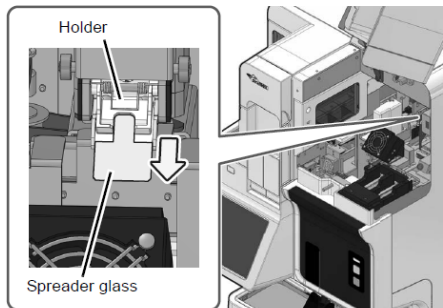
6 Rotate the fan forward and down.



Fan

7 Remove the spreader glass from the holder.

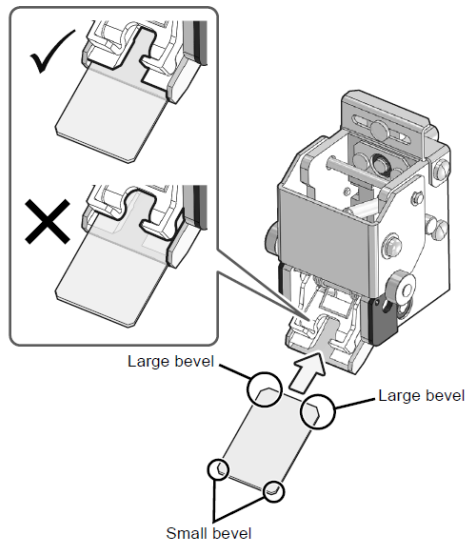
To remove, grasp the spreader glass and pull it forward.



8 Set the new spreader glass in the holder.

Set the slide glass so that the edge with the smaller chamfer faces forward.

Insert the spreader glass all the way into the spreader glass holder until it stops.



Caution

Insert the spreader glass into the position shown in the figure.
If inserted in the wrong position, smears will not be prepared correctly.

9 Replace the fan in its original position.

10 Close the smear unit cover.

Lightly press the cover to unlock and then close the cover.

11 Open the slide set unit cover.

12 Install the slide supply cassette.

13 Close the slide set unit cover.

Wiping off spreader glass dirt

To maintain smear quality for a longer period, the instrument cleans the spreader glass with CELLCLEAN AUTO each time shutdown is performed. However, spreader glass dirt should be manually wiped off once a week. Dirty spreader glass reduces smear quality.

Replace the spreader glass when smear quality does not improve after wiping off the spreader glass dirt or when the spreader glass is damaged or cracked.



Risk of infection

Be sure to wear adequate personal protective equipment, such as protective gloves, a protective mask, protective eyewear, and a lab coat when working. Wash your hands with antiseptic solution after completing the task.

There is a risk of infection.



Warning

CELLCLEAN is strong alkaline cleaning fluid. Avoid contact with skin and clothing. In case of contact, flush with copious amounts of water.



Caution

There is a risk of skin injury and damage to clothing.

Thoroughly wipe any parts of the instrument that come in contact with CELLCLEAN.

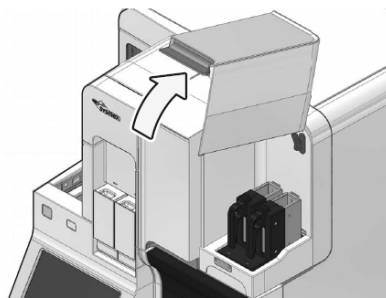
1 Shut down the instrument.

For the shutdown procedure, see "Basic Operation".

(►Basic Operation "Chapter 1: 1.3 Shutdown")

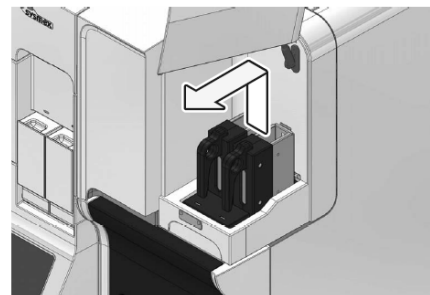
2 Open the slide set unit cover.

Lift the cover up until it locks into place.



3 Remove the slide supply cassette from the slide set unit.

Remove both the left and right slide supply cassettes.

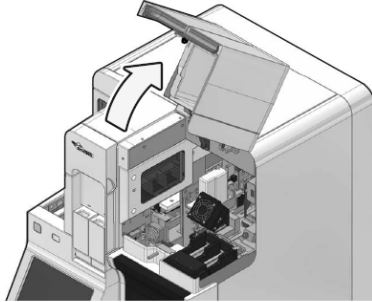


4 Close the slide set unit cover.

Lightly press the cover to unlock and then close the cover.

5 Open the smear unit cover.

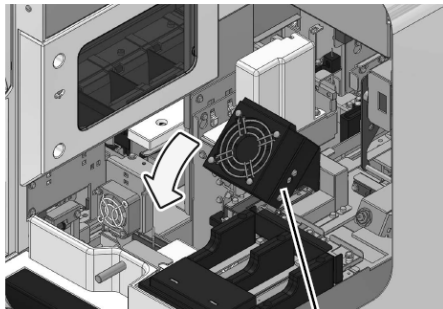
Lift the cover up until it locks into place.



Warning

Be sure to open the smear unit cover until it locks in place. Otherwise the cover may fall and cause injury.

6 Rotate the fan forward and down.



Fan

7 Wipe the surface of the spreader glass with gauze moistened with ethanol.

Sandwich the spreader glass between the gauze and wipe from left to right.



Note:

When wiping the spreader glass, the holder may move horizontally or vertically. This is not a problem, so wipe the spreader glass in the position that you find easiest.

8 To remove stubborn dirt, wipe with gauze moistened with CELLCLEAN.

Caution

If CELLCLEAN is used, make sure to rinse off the CELLCLEAN with rinse water as the final step.

Note:

Using CELLCLEAN easily removes foreign matter and dirt.

9 Replace the fan in its original position.

10 Close the smear unit cover.

Lightly press the cover to unlock and then close the cover.

11 Open the slide set unit cover.

12 Install the slide supply cassette.

13 Close the slide set unit cover.