



1300 Series A2

Class II, Type A2 Biological Safety Cabinet

Operating Manual 7021355 Rev. 19

Visit us online to register your warranty
www.thermoscientific.com/labwarranty

Thermo
SCIENTIFIC

Dear User,

Congratulations on your purchase of a Thermo Scientific 1300 Series Class II, Type A2 biological safety cabinet! Your 1300 Series A2 biological safety cabinet has been tested and certified in accordance to NSF/ANSI 49, and is designed to protect the user, the environment, and your research from harmful substances and cross-contamination. This user's manual provides instructions on how to use the 1300 Series A2 most effectively and safely. A printed copy of this user's manual is available from Technical Services, if required.

Containment * Comfort * Convenience™

The 1300 Series A2 offers a unique range of product features that will enhance your safety and improve overall operating efficiency. Should you have any questions on using this product or need further explanation of any of its features, please contact Technical Services (Page iv), or your local distributor.

This manual covers the models shown below:

Stainless Steel Interior		Coated Interior		Size	Voltage
10 inch opening	8 inch opening	10 inch opening	8 inch opening		
1322	1341	1320	1339	3 ft	120V
1323*	1342*	1321*	1340*	3 ft	120V
1345	1305	1355	1325	4 ft	120V
1346	1306	1356	1326	4 ft	230V
		1354		4 ft	230V, China
		1384*		4 ft	230V, China
1370	1352	1368	1350	5 ft	120V
1371*	1353*	1369*	1351*	5 ft	120V
1347	1307	1357	1327	6 ft	120V
1348	1308	1358	1328	6 ft	230V
		1359		6 ft	230V, China
		1389*		6 ft	230V, China
1332	1392	1330	1390	3 ft	230V
1333*	1393*	1331*	1391*	3 ft	230V
1375*	1335*	1385*	1395*	4 ft	120V
1376*	1336*	1386*	1396*	4 ft	230V
1382	1366	1380	1372	5 ft	230V
1383*	1367*	1381*	1373*	5 ft	230V
1377*	1337*	1387*	1397*	6 ft	120V
1378*	1338*	1388*	1398*	6 ft	230V

* Includes cabinet, adjustable height stand, UV light and armrest.

MANUAL NUMBER 7021355

19	ECNM-001363	04/27/21	Updated Image in page 2-5, Address in pages 3-7 & 3-8 and Certification Testing in section 8. Added Caster Stand installation instructions in page 3-3.	TFI
18	ECNM-001017	06/23/2020	Added Maintenance Notes in page 6-1.	TFI
17	ECNM-000187	12/03/18	Updated inflow test description and factors	TFI
16	41783	11/20/17	Corrected Downflow and Exhaust air dimensions on pages 7-6 & 7-7	IEC
15	41700	8/2/17	Added Drain valve to Fig 1-1, 2-6	bpg
14	40072	7/21/17	Clarified shutdown instructions	bpg
13	41335	12/12/16	Added note to Drain Valve installation on page 2-8	ccs



Important Read this instruction manual. Failure to read, understand and follow the instructions in this manual may result in damage to the unit, injury to operating personnel, and poor equipment performance. ▲

Caution All internal adjustments and maintenance must be performed by qualified service personnel. ▲

Material in this manual is for information purposes only. The contents and the product it describes are subject to change without notice. Thermo Fisher Scientific makes no representations or warranties with respect to this manual. In no event shall Thermo Fisher Scientific be held liable for any damages, direct or incidental, arising out of or related to the use of this manual.

© 2021 Thermo Fisher Scientific. All rights reserved.



Important operating and/or maintenance instructions. Read the accompanying text carefully.



Potential electrical hazards. Only qualified persons should perform procedures associated with this symbol.



Equipment being maintained or serviced must be turned off and locked off to prevent possible injury.



Hot surface(s) present which may cause burns to unprotected skin, or to materials which may be damaged by elevated temperatures.



WEEE Compliance: Thermo Fisher Scientific has contracted with companies for recycling/disposal in each EU Member State. For further information, send an email to weee.recycle@thermofisher.com.



- ✓ Always use the proper protective equipment (clothing, gloves, goggles, etc.)
- ✓ Always dissipate extreme cold or heat and wear protective clothing.
- ✓ Always follow good hygiene practices.
- ✓ Each individual is responsible for his or her own safety.

Do You Need Information or Assistance on Thermo Scientific Products?

If you do, please contact us 8:00 a.m. to 6:00 p.m. (Eastern Time) at:

1-740-373-4763

1-800-438-4851

1-877-213-8051

<http://www.thermofisher.com>

service.led.marietta@thermofisher.com

www.unitylabservices.com

Direct

Toll Free, U.S. and Canada

FAX

Internet Worldwide Web Home Page

Tech Support Email Address

Certified Service Web Page

Our **Sales Support** staff can provide information on pricing and give you quotations. We can take your order and provide delivery information on major equipment items or make arrangements to have your local sales representative contact you. Our products are listed on the Internet and we can be contacted through our Internet home page.

Our **Service Support** staff can supply technical information about proper setup, operation or troubleshooting of your equipment. We can fill your needs for spare or replacement parts or provide you with on-site service. We can also provide you with a quotation on our Extended Warranty for your Thermo Scientific products.

Whatever Thermo Scientific products you need or use, we will be happy to discuss your applications. If you are experiencing technical problems, working together, we will help you locate the problem and, chances are, correct it yourself...over the telephone without a service call.

When more extensive service is necessary, we will assist you with direct factory trained technicians or a qualified service organization for on-the-spot repair. If your service need is covered by the warranty, we will arrange for the unit to be repaired at our expense and to your satisfaction.

Regardless of your needs, our professional telephone technicians are available to assist you Monday through Friday from 8:00 a.m. to 6:00 p.m. Eastern Time. Please contact us by telephone or fax. If you wish to write, our mailing address is:

Thermo Fisher Scientific (Asheville) LLC
401 Millcreek Road, Box 649
Marietta, OH 45750

International customers, please contact your local Thermo Scientific distributor.

Table of Contents

Section 1	Description	1-1
	Safety Systems	1-2
	HEPA Filters	1-4
	Paper Catch Grids	1-4
	Control Panel	1-5
	Use of the Window	1-6
	Unit Interface	1-8
	Chamber Lighting	1-9
	UV Lights	1-10
	Work Area	1-10
Section 2	Installation	2-1
	Optional Exhaust Transition	2-2
	Exhaust System Accessories	2-2
	Moving the Unit	2-4
	Service Valve Connections	2-5
	Universal Piping Connections	2-7
	SmartPort	2-8
	Drain Valve	2-8
Section 3	Start-Up	3-1
	Assemble the Stand	3-1
	Unlock Counterweight	3-4
	Level the Cabinet	3-4
	Power Connection	3-5
	Installation Tests	3-6
	Locating a Certifier	3-7
Section 4	Operation	4-1
	Unit Start-Up	4-3
	Operating Modes	4-3
	Loading the Chamber	4-4
	Error Codes	4-5
	Working Recommendations	4-5
	Unit Shut-down	4-7
	Extended Period Shut-down	4-7
	Unit Disposal	4-7

Section 5	Cleaning / Decontamination	5-1
	Care and Cleaning of Stainless Steel	5-1
	Cleaning and Caring for Coated Surfaces	5-2
	Disinfection	5-3
	Rinsing	5-3
	UV Disinfection After Cleaning	5-3
	Change the UV Disinfection Time	5-4
	Microbiological Space Decontamination	5-4
	Clean Exterior Surfaces	5-5
	Clean Window	5-5
	Clean the Drain Pan	5-5
	Clean the Paper Catch Grid	5-6
Section 6	Maintenance	6-1
	Service	6-2
	Sample Chamber Lights	6-2
	Optional UV Lights	6-2
	Replacements and Repairs	6-3
	Unit Disposal	6-4
Section 7	Specifications	7-1
Section 8	Certification Testing	8-1
	Classification of the Safety Cabinet	8-1
	Test Terms	8-1
	Testing	8-2
	Test Equipment	8-3
	Testing Information	8-3
	HEPA Filter Leak Test	8-10
	Filters that can be Accessed and Scanned	8-11
	Filters that cannot be Accessed or Scanned	8-11
	Airflow Smoke Pattern Test	8-12
	Site Installation Assessment Tests	8-12
Section 9	Data Log/Warranty	9-1

Section 1 Description

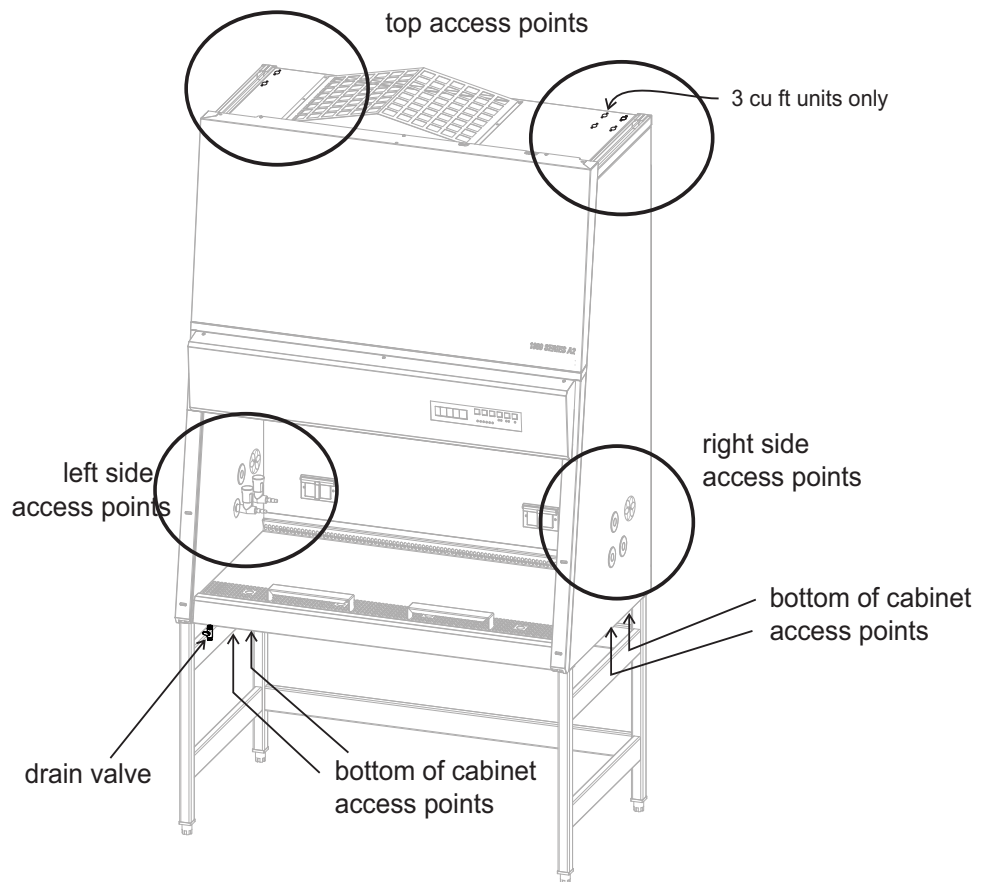


Figure 1-1. Unit Components

The Thermo Scientific 1300 Series A2 offers innovative SmartFlow™ technology; an automatic airflow compensation system that adjusts motor speed as filters load, without the use of a manual damper. The SmartFlow™ system ensures safe working conditions, even between annual certifications.

The plenum assembly consists of a plenum for the downflow blower and a plenum for the exhaust air blower. Each blower includes a filter. The exhaust air is discharged through an opening in the top of the cabinet.

Chamber lighting includes one fluorescent bulb for 4 foot models and two for 3, 5 & 6 foot models.

The optional, factory-installed UV light is installed in the ceiling at the front of the sample chamber.

Three service valve access ports are located on each side panel. When installing service valves, remove the center of the port plugs at the perforations.

The optional stand may be ordered in two configurations; a manually adjustable from 30” to 38” working height, and a fixed 34” working height with attached casters.

A stainless steel one-piece work surface is standard. Optional armrests ensure a comfortable working position for the user and minimize blockage of airflow at the front grille.

Internal outlets, provided as the power source for accessories, are provided standard in the following configuration:

1305, 1307, 1320, 1321, 1322, 1323, 1325, 1327, 1335, 1337, 1339, 1340, 1341, 1342, 1345, 1347, 1350, 1351, 1352, 1353, 1355, 1357, 1368, 1369, 1370, 1371, 1375, 1377, 1385, 1387, 1395, 1397: two duplex right and left side

1306, 1308, 1326, 1328, 1330, 1331, 1332, 1333, 1336, 1338, 1346, 1348, 1358, 1359, 1366, 1367, 1372, 1373, 1376, 1378, 1380, 1381, 1382, 1383, 1384, 1388, 1389, 1390, 1391, 1392, 1393, 1396, 1398: two single right and left side

Test hoses (aerosol challenge ports) are located under the work tray. The supply plenum hose is located on the left and the exhaust plenum hose on the right.

Note Do not remove the caps of the two test hoses to check for supply and exhaust airflow. ▲

Safety Systems

Negative pressure air system

A negative pressure air system combines with HEPA filters in the supply and exhaust airflow for personnel and product protection.

Personnel protection

Inflow air along the entire working opening at a constant high velocity prevents leakage from the work opening of the chamber.

Exterior air pressure being higher than the internal air pressure creates negative pressure, ensuring containment in case of cabinet leakage.

Product protection

Steady airflow within the air system ensures constant downflow, allowing the HEPA filters to remove contaminants so that the samples are always surrounded by ultra-pure air. Harmful particles are not carried over the sample chamber (protection from cross-contamination).

Safety Systems (continued)

HEPA filters

The downflow air within the chamber and the exhaust air are cleaned by HEPA filters.

Safety lockout

To protect from UV radiation, the optional UV light will not turn on if the front window is open. While the UV light is on, the front window should remain closed. The closed window blocks out the UV rays.

Opening the window will cause the UV light to turn off.

Digital Airflow Verification (DAVe)

Independent monitoring of inflow and downflow air velocities guarantees that product and personnel protection remain uncompromised. Airflow monitoring determines the velocity of the airflow in the sample chamber as well as the inflow velocity of air through the exhaust opening. As soon as airflow velocities rise above or fall below a specified safety value, an audible and a visual alarm is activated.

Window position monitoring

The position sensors detect the size of the front window opening and indicate whether the window is open to the specified work position, closed (energy saving) or in an unsafe intermediate position.

SmartFlow Indicator

The SmartFlow Indicator provides assurance that the inflow is balanced properly. SmartFlow monitors the advanced motor technology adjusting airflows even as the filter resistances change due to loading or other influences. The SmartFlow Indicator visually demonstrates the cabinet's ability to compensate to maintain personnel protection. Green indicators show the fan and filters have power and capacity in reserve to respond to additional demands. Yellow or red indicators show that while the cabinet is providing personnel and product protection, maintenance should be scheduled to restore the compensation reserve.

HEPA Filters

The filter system consists of two HEPA filters for downflow (supply) and exhaust air.

Room air is drawn into the sample chamber through the work position window opening. The room air is drawn into the negative pressure drain pan air duct, then pulled into the air plenum in the top portion of the cabinet. The room air is mixed with recirculating HEPA filtered air from the chamber, and filtered proportionally by the downflow and exhaust filters. The filtered air is then supplied as ultra-pure air into the sample chamber of the unit, and exhausted as ultra-pure air into the room environment, or into an external exhaust system via an exhaust transition.

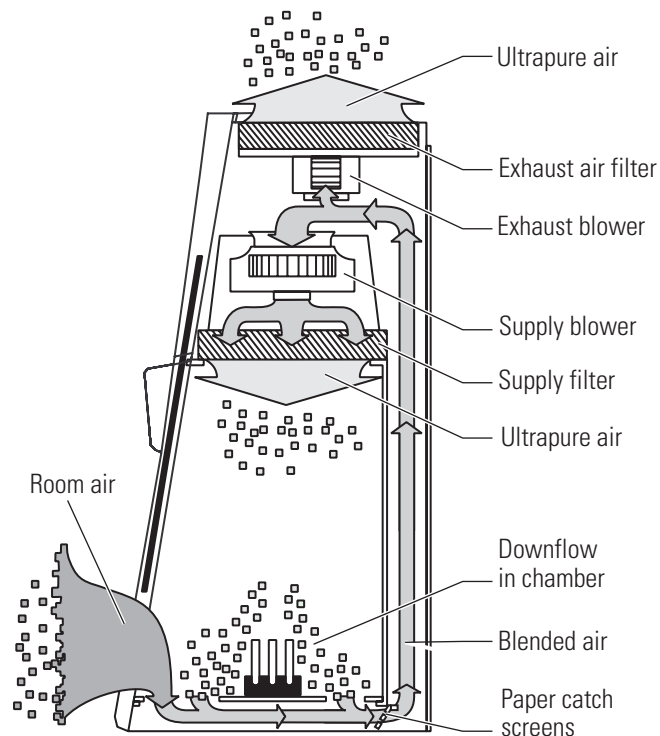


Figure 1-2. Airflow Filtering System

Paper Catch Grids

Sectional paper catch grids are installed beneath the work tray in the air duct between the inner and outer back wall of the unit. These grids prevent large items such as paper towels and tissues from entering the plenum where they may impair the function of the blowers or the filters. The grids can be easily removed for cleaning.

Control Panel

The control panel is located on the front of the cabinet and consists of keys, status indicators and a numerical display.

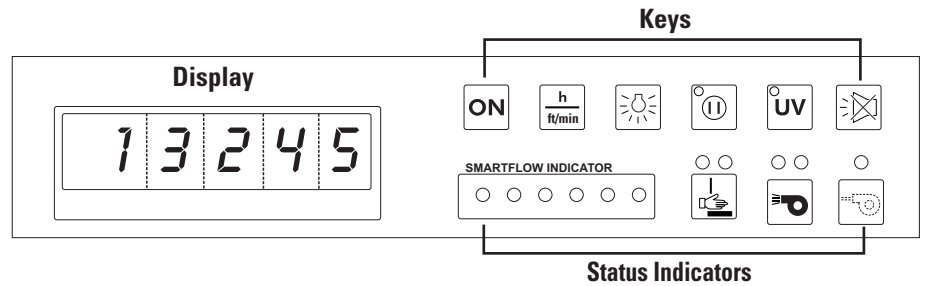


Figure 1-3. Control Panel

The display with its 5-digit panel shows the following information, regardless of the activated operating function:

- Filter life meter (reset on filter replacement or attaining 10,000 hours)
- Downflow and inflow air velocities
- Remaining time of the UV disinfection routine

The keys turn functions on or off.

Status indicators show:

- Window work position
- Airflow
- Reduced blower speed
- SmartFlow Indicator

Use of the Window

The sample chamber is accessible through various positions of the front window. The working position of the window is a 8 or 10 inch opening, +0.25", -0.75" (depending on model - check data label and first page of this manual). For loading the chamber, the window opens fully. For decontamination and energy saving, enter into Night-Set-Back mode by closing the window. When the window is closed, the blower speed is reduced, minimizing energy consumption and noise emittance without compromising particulate containment inside the work chamber.

Note The working and loading window positions are indicated on the user interface, as controlled by micro switches and displayed by status indicators on the control panel. ▲

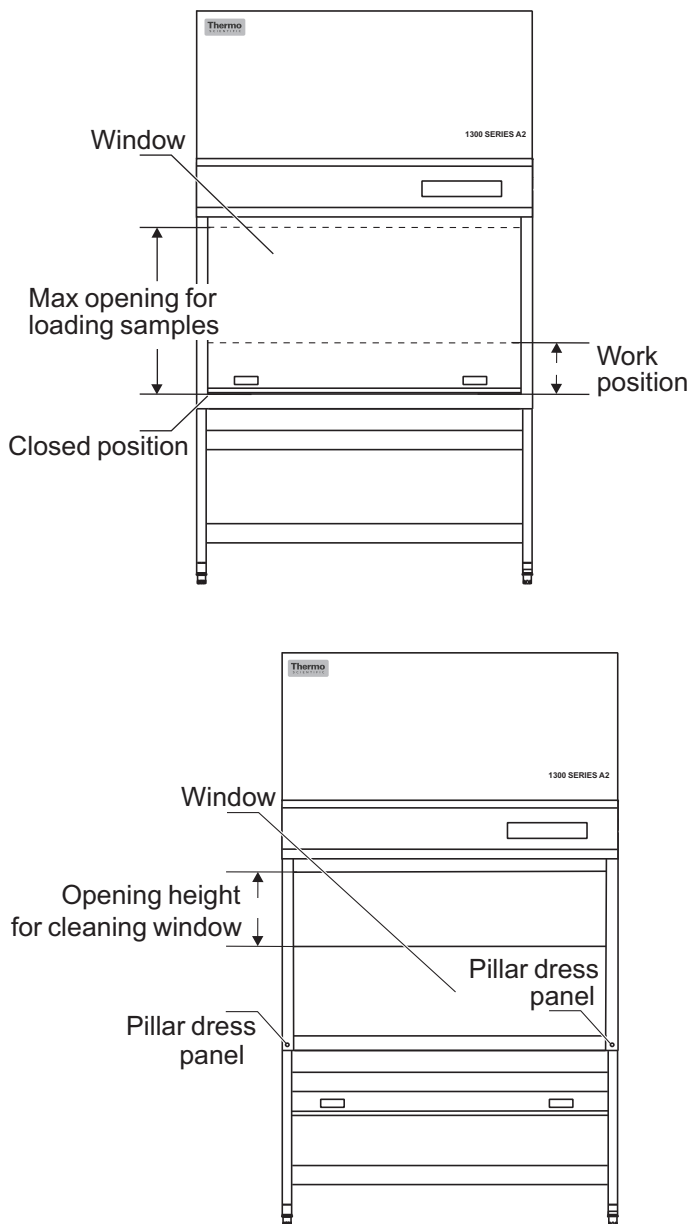


Figure 1-4. Window Openings

Use of the Window (continued)

To place the window at the work position, move it to the area of the top ‘dimple’ (Figure 1-5) and watch for the GREEN sash position height indicator to illuminate (Figure 1-6). If the window is moved from the the work position, the sash height indicator will turn RED.

To place the window in the closed or reduced mode position, move it to the area of the lower ‘dimple’ (Figure 1-7) and watch for the BLUE reduced mode indicator to illuminate (Figure 1-8). If the window is not positioned correctly, or is moved from the closed position, the BLUE indicator will be extinguished. When the BLUE reduced mode indicator is not illuminated, the unit will not operate in reduced mode, and the optional UV light will not function.



Figure 1-5. Work Position

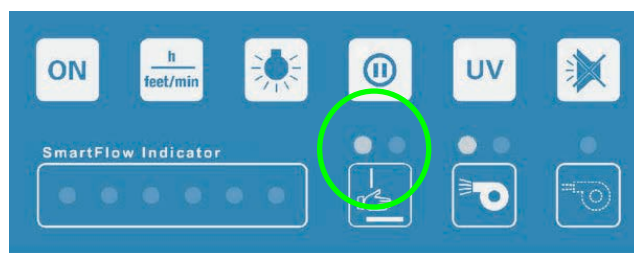


Figure 1-6. Lighted Green LED



Figure 1-7. Fully Closed Position (UV, if applicable)

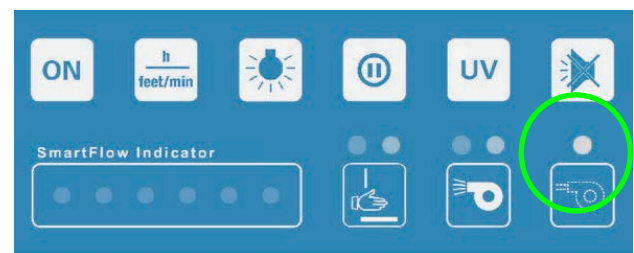


Figure 1-8. Lighted Blue LED

Use of the Window (continued)

Our patented-pending SmartClean™ window design easily lowers below the work position for replacing the sample chamber light bulbs.

Caution If the front window jams or is sluggish to move, do not use force! Contact Technical Services immediately. Do not attempt to repair this problem. ▲

Unit Interface

The standard unit includes accessory outlets, service valve access ports, an RS-232 connection and a remote alarm connection.

The power cord to be connected to the power source is located on the top, near the front of the cabinet.

The accessory outlets (max 5A) are located on the interior chamber back wall.

On top of the cabinet are the two fuseholders for the 5A accessory outlet fuses and an RS-232 connection (signal source, not customer interface).

Service valve access ports are located on each side of the cabinet. To use these ports, remove the center perforation. Service valves are available as optional accessories.

The remote alarm accessory can be used for notification of window movement or access.

Warning If a gas burner is to be operated in the sample chamber, an appropriate shut-off valve for the gas supply must be installed. Use only laboratory safe burners in the sample chamber. ▲

Unit Interface (continued)

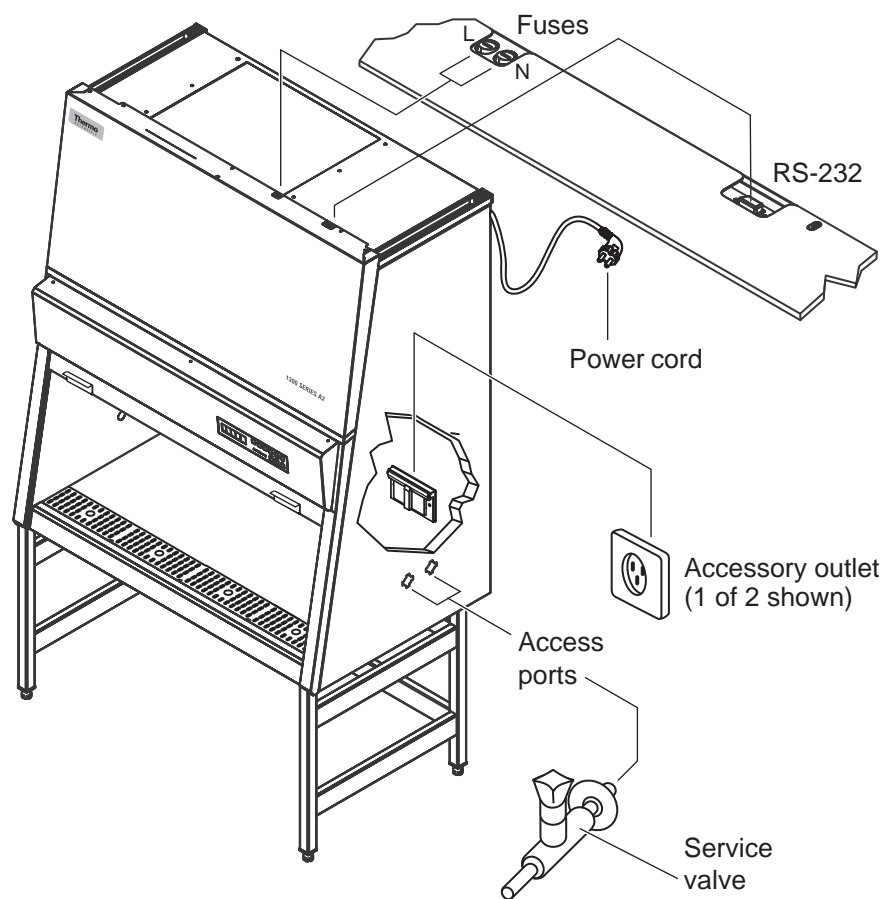


Figure 1-9. Interfaces (2 of 4 access ports are shown)

Chamber Lighting

The Thermo Scientific 1300 Series A2 offers a bright workspace for a more comfortable working environment. Models with coated rear and side walls resist glare and make it easier for the user to work safely.

Lighting for the sample chamber includes one fluorescent bulb for 4 foot units, and two bulbs for 3, 5 & 6 foot units. The bulb(s) is installed behind the light canopy.

UV Lights

The optional, factory-installed UV light is installed at the top of the front section of the sample chamber.

The operating time of the UV light is preset for 1 hour. The UV disinfection procedure can be started by pressing the “UV” key on the control panel with the window in the closed position. If the window is opened, the procedure is immediately cancelled.

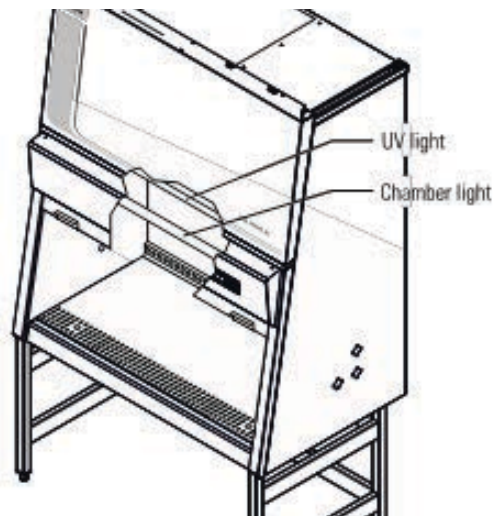


Figure 1-10. Lights

Note To protect from UV radiation, the UV light can only be turned on when the window is completely closed. ▲

Work Area

The single piece work tray is provided with the cabinet. It is placed onto the frame above the sample chamber drain pan. It can be removed by lifting up, using the large holes in the work tray.

The working area for optimal product protection extends over the entire width and depth of the work tray. The two optional armrests are positioned in the center of the working area 8 inches (20 cm) from each other. To attach the armrests, insert into the first perforated track of the work tray.

Warning Work safety is assured only if the armrests are used correctly! ▲

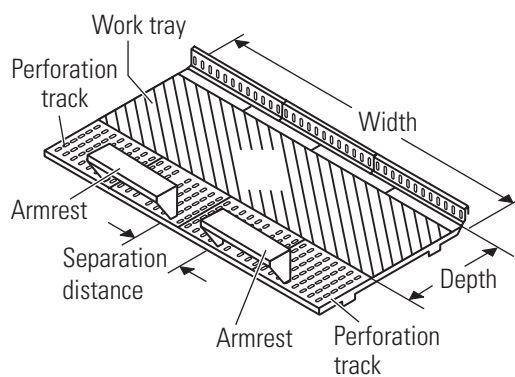


Figure 1-11. Work tray

Section 2 Installation

The operational safety and proper function of the unit depend on the location where it is to be operated. The cabinet should be operated only in the ambient conditions listed below.

- Up to 6562 ft. (2000 m) above sea level.
- Power outlet accessible to authorized personnel only. Ideally, the outlet should be installed above the biological safety cabinet. The power cord is the mains disconnect.
- Location capable of supporting the weight of the device and non-flammable.
- If the factory-approved stand is not purchased, the holding device must be rated for twice the cabinet weight.
- Adequate room height. For devices that are not connected to an exhaust system, the distance between the exhaust air opening at the device and the room ceiling must be at least 8 inches (200 mm).
- Equipped with an appropriate ventilation system.
- Room temperature between 10°C and 40°C (50°F and 104°F).
- Relative humidity must not exceed 80%, up to 31°C and decreasing linearly to 50% at 40°C.
- For indoor use only.

Room ventilation should preferably be a ventilation system that complies with the national requirements for the application.

The inlet air and exhaust air openings of the room ventilation must be located so that drafts do not impair the function of the biological safety cabinet air system.

When positioning the cabinet, make sure the counterweight on the back of the unit can move freely. The minimal distance to the wall or adjacent objects should be 3 inches (7.6 cm), unless upper wall brackets are used.

Optional Exhaust Transition

The part numbers for the optional thimble exhaust connection are 1911316 for three, four & five foot units, and 1911317 for six foot units.

The test conditions according to NSF/ANSI 49 were performed with the standard version of the safety cabinet, without exhaust system accessories.

An available accessory for the biological safety cabinet exhaust system is an exhaust thimble connection for an on-site exhaust system with blower. According to NSF/ANSI Standard 49, an exhaust alarm is required with this connection.

Exhaust System Accessories

The exhaust system components are installed to the exhaust opening on top of the cabinet. The threaded inserts for the retaining screws are pre-installed in the unit.

Installation on 3, 4 and 5 ft. models:

1. Turn the unit off and disconnect it from the power source.
2. Thoroughly clean the surfaces around the exhaust opening and of the accessory to be installed, to ensure that they are free of debris.
3. Secure the accessory by tightening the supplied retaining screws (M5) wrench-tight.
4. Using the adjustment nuts on the sliding panel, set the gap height to an opening of 2 inches.

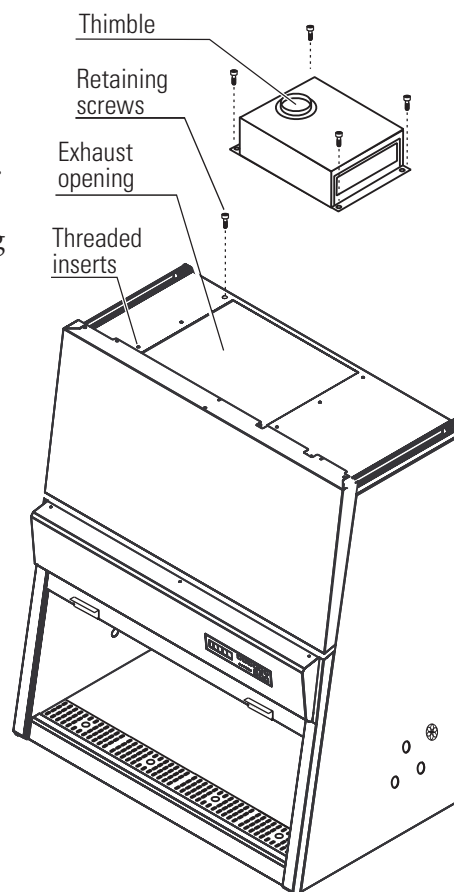


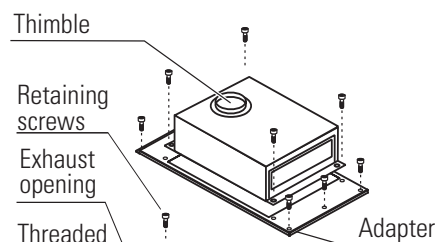
Figure 2-1. 4 ft Thimble

Exhaust System Accessories (continued)

The exhaust thimble connection is installed to the top of the cabinet using an additional adapter. The threaded inserts for the retaining screws of the adapter are pre-installed to the top of the cabinet.

Installation on a 6 ft. model:

1. Turn the unit off and disconnect it from the power source.
2. Clean the contact surfaces around the exhaust opening, and the upper and lower contact surfaces of the adapter thoroughly to ensure that all grease and dust residue are removed.
3. Secure the adapter to the pre-installed threaded inserts on top of the cabinet using the supplied four retaining screws. Tighten the screws hand-tight.
4. Secure the accessory by tightening the supplied retaining screws (M5) wrench-tight.
5. Using the adjustment nuts on the sliding panel, set the gap height to an opening of 2 inches.



Connecting Sleeve

1. Place the connecting sleeve onto the connecting opening of the accessory and secure it with the screws.
2. Fit the connecting pipe (200 mm [8 in]) of the on-site exhaust air system to the connecting sleeve.
3. Seal the unused connecting opening with the cover. Place the cover onto the connecting opening at the housing and secure it with the screws.

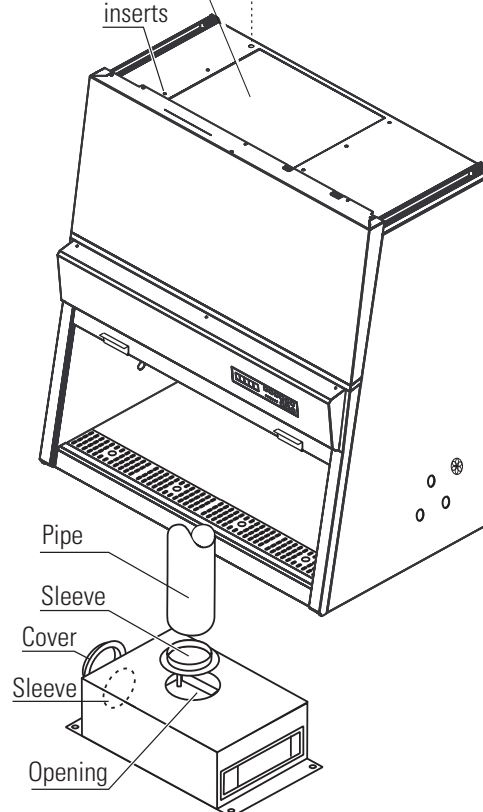


Figure 2-2. 6 ft Thimble and Sleeve

Moving the Unit

To prevent tilting, always transport the cabinet separate from the stand, using equipment capable of supporting the weight, even for a move within a building.

Caution When moving the unit, lift only at the lift points shown in Figure 2-3. ▲

Caution Do not allow the weight of the cabinet to rest on the drain pan! ▲

Warning The weight of the window is balanced by the counterweight on the back of the cabinet. Do not move the unit unless the counterweight has been locked in place with the shipping screws (see Figure 3-2). ▲

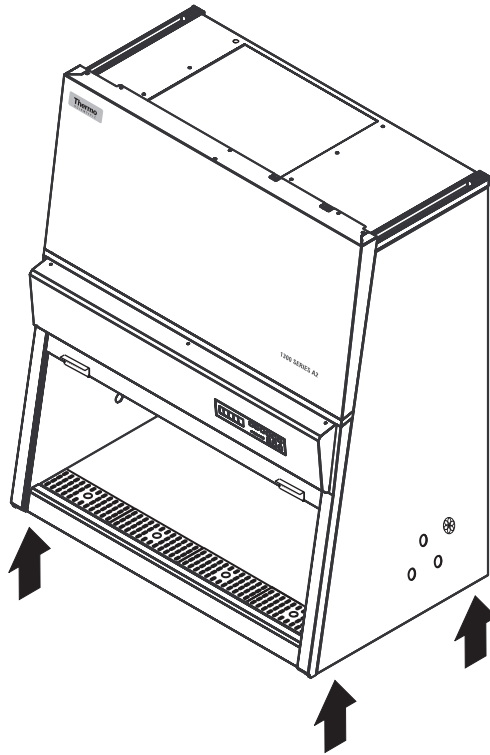


Figure 2-3. Lift points

Service Valve Connections

Install the service valve(s) by removing the centers of the plug (brass) or piercing it at the pre-determined location (plastic).

Installation spacing on side of unit is indicated in Figure 2-4.

Note The plugs must only be used for the installation of service valves in accordance with the applicable national regulations. ▲

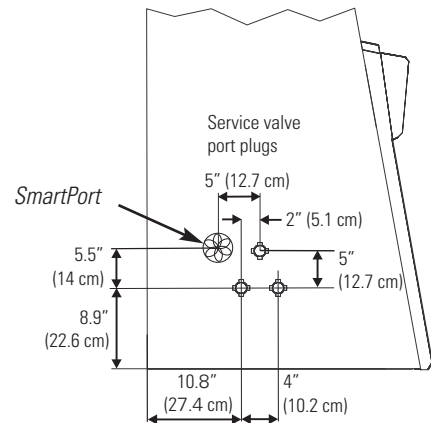


Figure 2-4. Valve Location

At each side panel, service valves can be installed through the three service valve port plugs (P/N 249095-exterior port plug, 249096-interior port plug).

1. Move the front window to the fully open position.
2. Turn the unit off and disconnect it from the power source.
3. Score the plug circularly at the pre-determined point (inside and outside). Remove the centers.
4. Referring to Figure 2-5 on the following page, slide the bezel onto the threaded pipe of the service valve. Apply a thin bead of silicon to the inner flange of the service valve.
5. From inside the sample chamber, slide the service valve through the desired plug.
6. From the outside, slide the washer onto the service valve threaded pipe and apply a thin bead of silicon to the outer flange of the service valve.
7. Secure the service valve to the side panel using the nut.
8. Establish the connection to the supply line using a union nut.

Note If a service valve is removed, the service valve port plug should be re-installed. ▲

Valve Connections (continued)

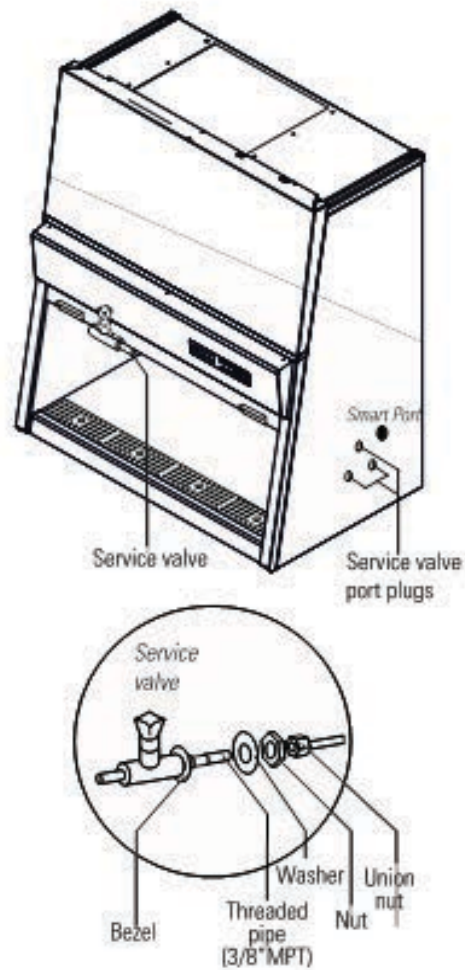


Figure 2-5. Valve Assembly and Installation

Replace the SmartPort™ Before Decontamination

If SmartPorts are installed, replace the SmartPort grommet before starting a decontamination procedure. Two replacements (P/N 114111) are shipped with each unit, or the 1910112 kit containing 4 grommets can be ordered.

SmartPort locations are indicated above (one on each side).

Universal Piping Connections

Universal piping is a factory-installed option. The piping can be installed on either, or both, sides. Access points, depending on selected installation, are available on the top, side or bottom of the cabinet. Pipe threads are 1/4" FPT. Refer to illustration below.

Note The top left access point is not available on 3 cu ft units, due to the proximity of the exhaust filter. On 3 cu ft units, the right side access points are next to the right side rope channel. The left side access points are to the left of these. ▲

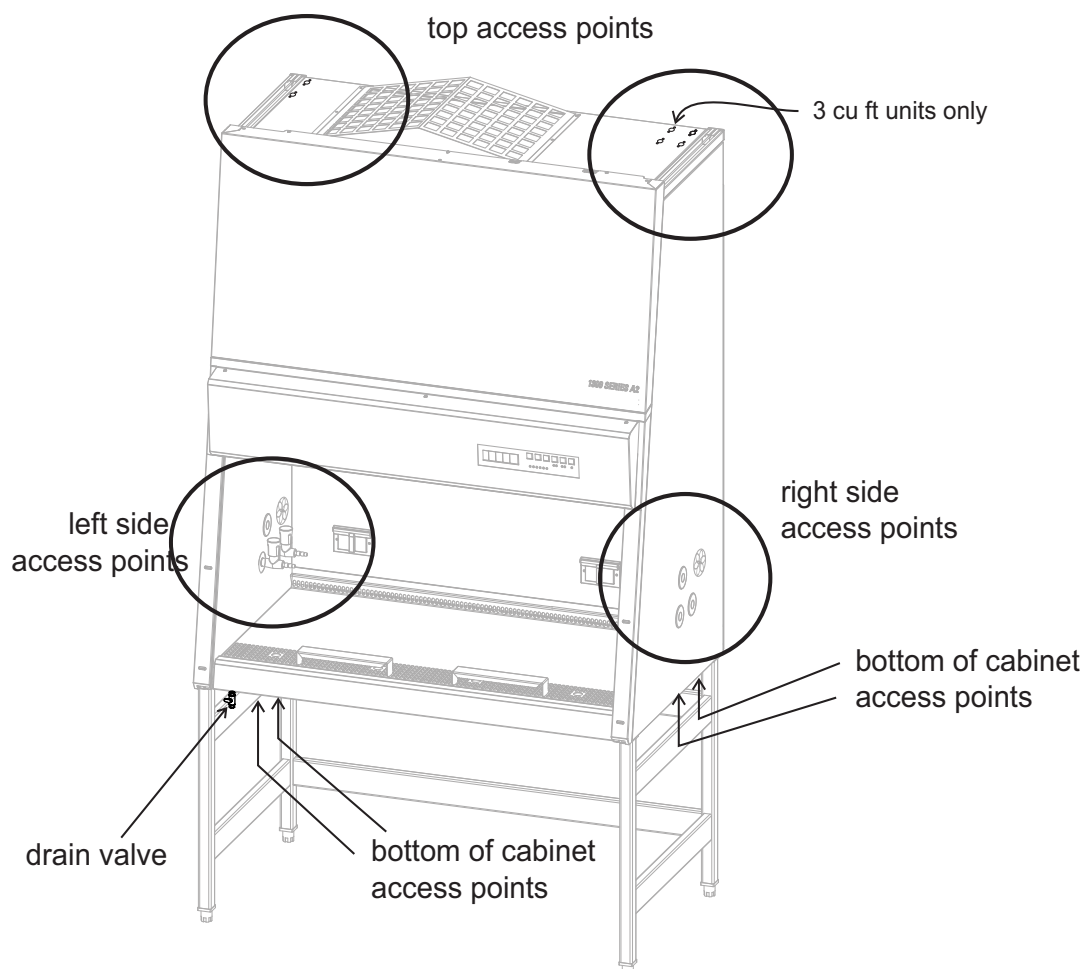


Figure 2-6. Possible Universal Piping Access Points/Drain Valve

SmartPort

The SmartPort is an optional feature on the 1300 Series A2, designed to improve work area organization inside the biological safety cabinet. It is designed to accommodate the routing of vacuum line tubing, line cords and data cables from the interior of the cabinet to the exterior working area, freeing up space inside the work area.

A 3 inch access port with an inner and outer solid rubber grommet is located on both side walls of the cabinet. Soap bubble leak test should be performed while the grommet is closed. Using a surgical scalpel, the user may cut the inner and outer grommet along the pre-cut indentations, cutting only what it needed to accommodate the tubing or cable. The negative pressure air channel within the side walls ensures that no particles escape into the lab.

At any time, new solid rubber grommets may be installed into the SmartPort to provide a complete seal in the side walls. It is recommended that new solid grommets be installed on the exterior side walls, prior to decontaminating the cabinet. Two new solid grommets are supplied with the cabinet for this purpose, or kit # 1910112 (four grommets) can be ordered.

Drain Valve

After the unit has been installed, either on a stand or a workstation, the drain valve should be installed. The drain valve itself is shipped in the manual bag taped to the inside of the unit.

Locate the drain piping underneath the unit on the left side (see Fig 2-6). Apply thread sealant sparingly to the threads.

Install the drain valve. Ensure the valve is in the closed position.

Be aware of the valve when moving the unit from the stand or workstation.

Section 3 Start-Up

Caution Correct assembly and installation is essential for proper start-up and operation. ▲

Assemble the Stand

For a unit without a stand, place the cabinet onto a stable structure capable of supporting two times the unit weight. Make sure the weight is not resting on the drain valve or nipple.

For a unit with a stand, first assemble the stand per the instructions included with the stand. Then fit the cabinet onto the stand. See steps below.

Caution Make sure each leveler is turned all the way in, to avoid bending an edge during installation. ▲

Installing the height adjustable Stand:

1911400 - Adjustable stand (3 foot)

1911302 - Adjustable stand (4 foot)

1911401 - Adjustable stand (5 foot)

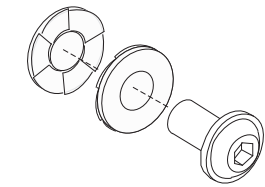
1911303 - Adjustable stand (6 foot)

1. Locate the four telescoping legs in the side panel packaging. Install adjustable leveler from the hardware bag into the swaged end of the telescoping legs (if not already installed).
NOTE: Make sure leveler is screwed all the way in, before installation. Using a hammer, tap the leveler into place.
2. Locate the left and right side panels. Install the telescoping leg assemblies into the side panels as shown in Figure 3-1.
3. The height-adjustable stand can be set to a height range of 26.8 - 34.7 in. (680 - 880 mm). To set the stand to the desired height, pull the legs downward out of the channels to the desired height. Lock the height adjustment in place by installing two lockwashers/screws per channel to the leg.

Note All lockwashers are a wedgelock type. The wedges fit together with the smoother sides toward the unit and the screw. See Detail. ▲

4. Locate the two crossmembers from the packaging. Note they are packaged separately from the side panels. With the label on the crossmember to the outside (Figure 3-1), install the crossmembers onto the retaining tabs of the side panels. Place lockwashers on screws, then install all screws by hand, before tightening to secure together.

Assemble the Stand (continued)



Detail. Order of Assembly

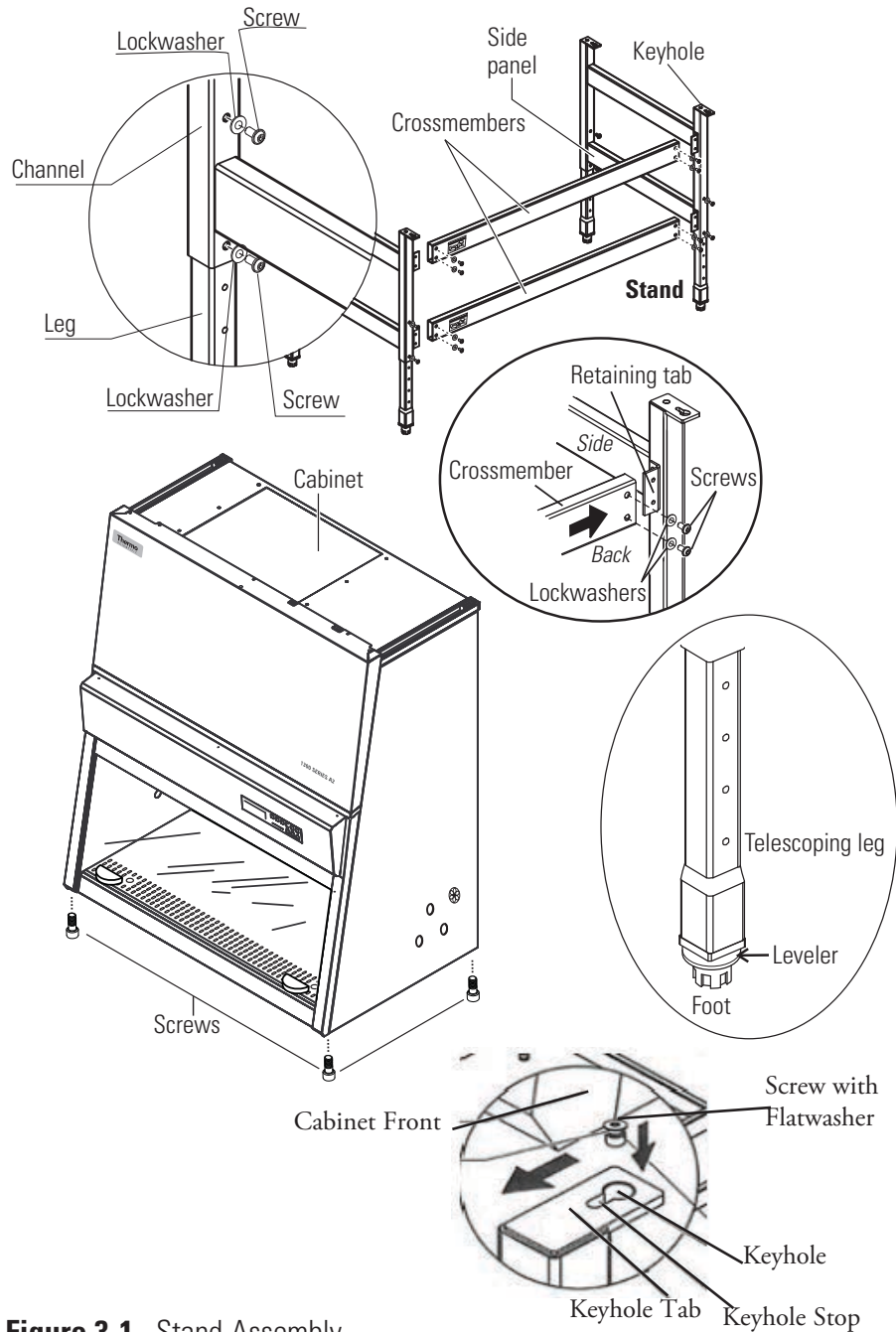


Figure 3-1. Stand Assembly

5. To install the cabinet frame to the stand, insert four flatwashers and Allen screws loosely into the threaded holes at the bottom of the cabinet.
6. Place the safety cabinet onto the stand so that the Allen screws are routed through the holes of the keyhole tabs.
7. Slide the cabinet frame to the keyhole stop (see Figure. 3-1).
8. Tighten the four Allen screws.
9. Level the cabinet (instructions follow in this section).

Assemble the Stand (continued)

Installing the Caster Stand:

- 1911409 - Caster Stand (3 foot)
- 1911322 - Caster Stand (4 foot)
- 1911410 - Caster Stand (5 foot)
- 1911346 - Caster Stand (6 foot)

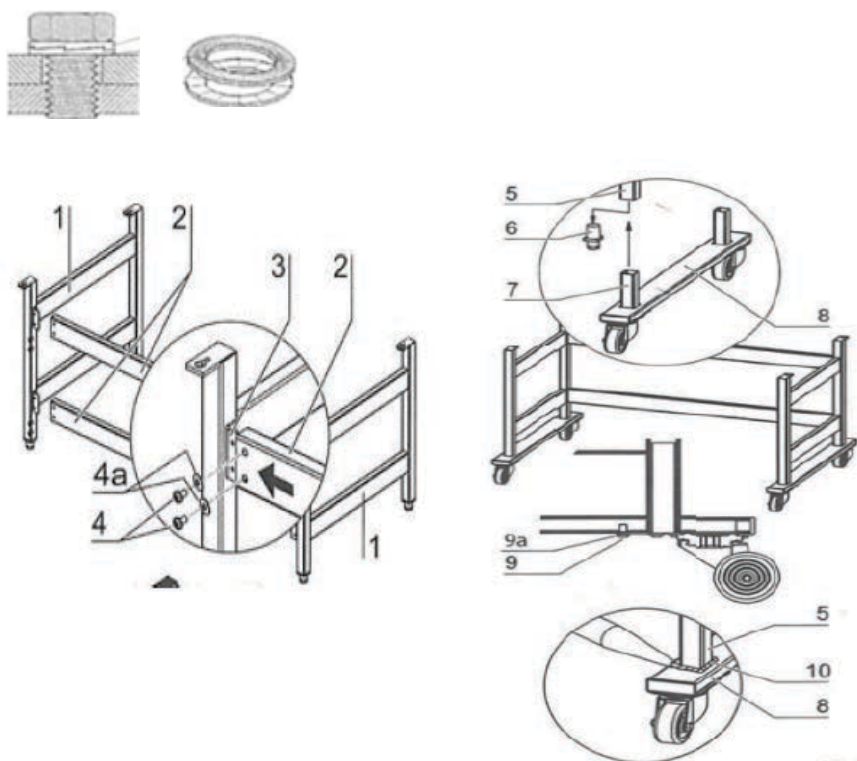
1. Slide the two crossmembers [2] onto the retaining angles [3] of the side panels [1], then secure the crossmembers to the side panels using the screws [4] with fitted wedge lock washers [4a].
2. Remove the legs [6] out of the side panel channels [5].
3. Insert the profiles [7] of the castor units [8] into the side panel channels.
4. Tighten the screws [9] fitted with their wedge lockwashers [9a].

NOTE - Flushing joints

Flush the joints between the side panel channels [5] and the castor units [8] with silicone [10]!

NOTE

Wedge lock washers for screws [3] and [9] should always be used in pairs of two as shown in the figure below!



Unlock Counterweight

The window counterweight is secured to the back of the cabinet to protect the window from damage during shipping.

Caution The counterweight on the cabinet back compensates for the weight of the front window. Do not try to move the front window before the counterweight has been unlocked. ▲

Warning After unlocking, keep hands and fingers away from the motion range of the counterweight! ▲

To unlock the counterweight, remove the shipping screws (see location arrows in Figure 3-2) and retain them for future shipping needs. A Torx wrench is shipped in the manual bag for this purpose.

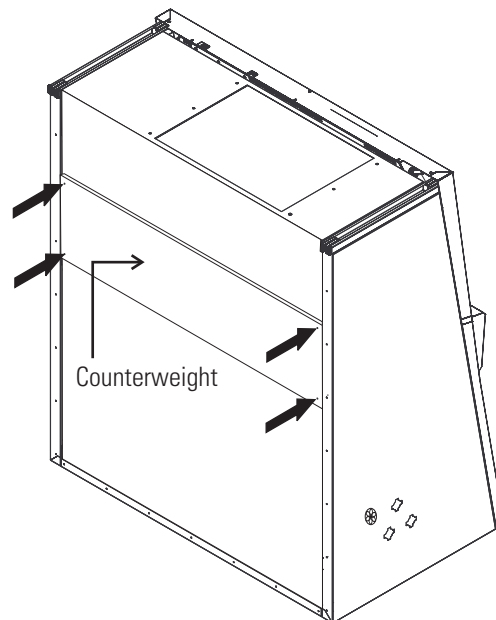


Figure 3-2. Unlocking the Counterweight

Warning One person should hold the counterweight while a second person removes the screws. This facilitates screw removal and avoids the possibility of stripping the screws. ▲

Level the Cabinet

Note The cabinet should be leveled only after it has been located in the desired working location. ▲

For cabinets without a stand, place a bubble level onto the work tray surface and adjust the cabinet until the level indicates an absolutely horizontal position in all directions.

For cabinets with an optional stand, place a bubble level onto the work tray and adjust the four levelers of the stand using an open end or adjustable wrench until the bubble level indicates an absolutely horizontal position in all directions. Check from right to left, and from back to front.

Power Connection

Warning Contact with electrical components can cause a lethal shock.

Warning Before connecting the unit to a power source, check plug and power cord for possible damage. Do not use damaged components to connect the unit to the power source! ▲

1. Before connecting the unit to the power source, verify that the voltage of the outlet matches the specifications on the cabinet nameplate. If the ratings given for voltage (V) and maximum current (A) do not match, do not connect the unit to the power source.
2. Connect the power cord to a properly grounded and fused outlet. The outlet must be fused separately, using a fusible link T15A or using a circuit breaker B15. If the configuration of the receptacle does not match the power plug, consult a qualified electrician to replace or install the correct receptacle.
3. Make sure that the power cord is routed away from the counterweight and cable guide. The left side of the cabinet has additional fastening points that can be used for routing the power cord.
4. Make sure that the power cord is not stretched or pinched.

To protect from accidental disconnection, the power source outlets should be located out of casual reach and be accessible only to authorized persons. Ideally, the outlet should be located above the cabinet to avoid accidental shut-off.

The power supply cord is the mains disconnect. Maintain access at all times.

If the unit includes service valves (gas, water), the valves must be installed properly to ground, to the unit's main ground.

On connection to the power source, place the window at the working position. Press and hold the On button. A green LED in the display indicates power is being supplied to the cabinet. The cabinet is now ready for operation and can be operated using the control panel.

Installation Tests

Warning Do not operate the unit before initial operation, installation and certification tests have been performed. ▲

The installation test must be performed in accordance with the specifications of NSF/ANSI 49. The cabinet may be operated as a Class II biological safety cabinet, in accordance with NSF/ANSI 49, if the unit functions listed below were verified and if the test results are within the safety value tolerances as specified in NSF/ANSI 49, Annex F.

- Inflow velocity profile test
- Downflow velocity profile test
- HEPA filter leakage test
- Airflow smoke pattern test
- Site installation assessment tests
- A repeat test must also be performed annually, after repairs to the unit or after location changes.
- The operator should request a written test report from the authorized service technician.

Warning The operational safety of the unit, particularly the personnel and product protection, are guaranteed only if all safety functions of the unit have been tested and approved. ▲

Caution Thermo will not warrant operational safety if the unit is operated without the required installation and certification test, or if these tests and repeat test are not performed by adequately trained and authorized personnel. ▲

Caution The initial operation with subsequent installation test does not include any decontamination measures. The sample chamber and any accessories required must be disinfected and cleaned in accordance with the hygiene guidelines set forth for the desired application. ▲

Caution Alarms on this unit are not factory-set. Set the alarms to avoid product loss and ensure personnel safety. Refer to Certification section. ▲

Locating a Certifier

Caution Service and certification must be performed by qualified personnel. ▲

Biological safety cabinet certification consists of a series of tests designed to verify that the cabinet is performing within operating parameters established by the manufacturer. To assure that a biological safety cabinet is operating as intended, each cabinet should be field-tested at the time of installation and at least annually thereafter. Cabinets should be re-certified whenever HEPA filters are changed, internal maintenance is performed, or the unit is relocated.

Three industry-related organizations maintain lists of companies and individuals who are active in the certification industry. You may contact these organizations at the addresses listed below.

NSF International (NSF) and International Air Filtration Certifiers Association (IAFCA) sponsor certifier accreditation programs. Accredited certifiers have demonstrated proficiency at testing biological safety cabinets by successfully completing written and/or practical examinations.

NSF International
789 N. Dixboro Rd
Ann Arbor, MI 48105-0140
Telephone (734) 769-8010 Or (800) NSF-MARK
Fax (734) 769-0109
<https://info.nsf.org/Certified/Biosafety-Certifier/>

IAFCA
PO Box 12155
Columbus, OH 43212
Telephone (888) 679-1904
Fax (614) 486-1108
<http://www.iafca.com/iafca-members/search-members>

Locating a Certifier (continued)

The Controlled Environment Testing Association (CETA) is a trade association devoted to promoting and developing quality assurance within the controlled environment testing industry. A list of active members is available by contacting the organization.

Controlled Environment Testing Association

701 Exposition Place

Suite 206

Raleigh, NC 27615

Telephone (919) 792-6339

<https://www.cetainternational.org/ceta-member-directory#/>

Note Unless certification was expressly called for in the specification, quotes and/or purchase order, the cost for this on-site testing is to be paid for by the customer. ▲

Section 4 Operation

The control panel has been divided into three functions; display, keys, status indicators.

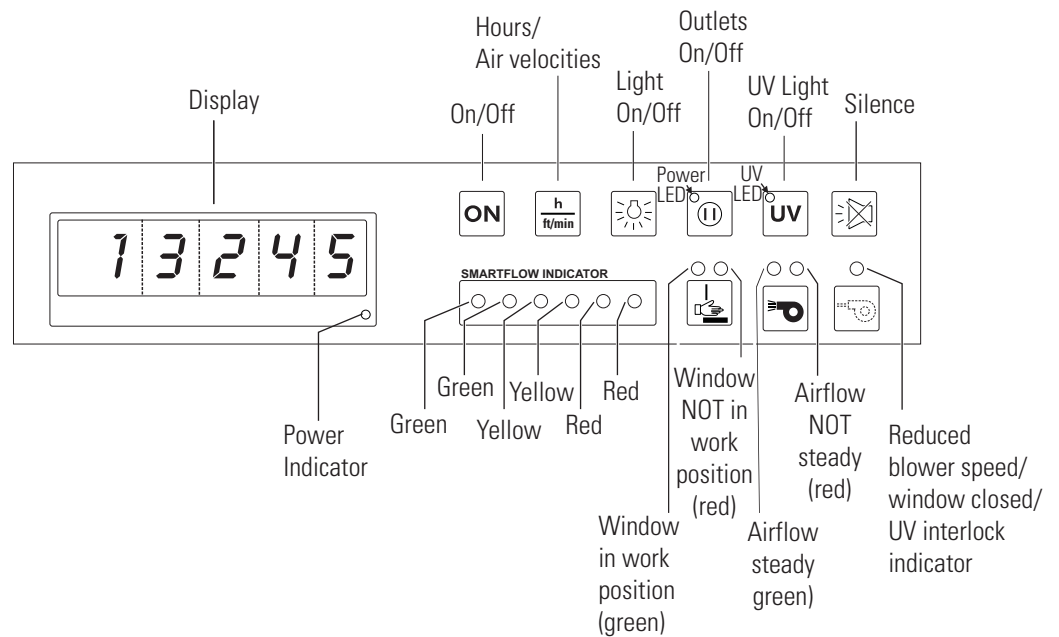


Figure 4-1. Control Panel Functions

The **display** shows the information below during each operation.

- During normal operation, the operating hours of the unit,
- During safe work mode, the downflow and inflow*,
- With UV light (optional) timer on, the remaining disinfection time.

*Press the **Hours/Velocities key** to switch between the operating hours, and the downflow and inflow in safe work mode (with window in the open, safe operating work position).

To enable (I) / disable (0) alarm ringback function, follow the steps below.

In OFF mode, press and hold the **Hours/Velocities** key for approximately five seconds. The display momentarily shows the operating hours, then the switching state:

I = alarm acknowledge function enabled,

0 = alarm acknowledge function disabled.

Light key turns the sample chamber light on and off.

The On/Off key turns power to the unit on or off.

Outlet On/Off key turns power to the internal outlets on and off (the blue LED indicates that voltage is present).

Note Many of our units are equipped with a Ground Fault Circuit Interrupter (GFCI) on the left side of the cabinet. **This device monitors the amount of current flowing from hot to neutral.** If there is an **imbalance**, it **trips the circuit**. This single GFCI protects both outlets within the cabinet.

If the outlets do not operate when the power button is turned on, press the Reset button in the center of the GFCI outlet to ensure the GFCI is set and power is flowing through it. If this does not restore power, contact Technical Services for additional troubleshooting.



Figure 4-2. Reset Button on GFCI Outlet

UV Light key turns the optional UV light on and off. The yellow LED indicates the UV light has been activated. If the UV light is not installed, this key has no function.

This key also activates the UV disinfection procedure. During the procedure, the display alternates between dIS and the remaining preset time (see Section 5 to change this preset).

Silence key for muting the audible alarm.

Unit Start-Up

1. To turn the unit on, press and hold the ON key until the blowers start (audible blower operation), status indicators (LEDs) illuminate, and an audible tone sounds.

Note A delay of several seconds may occur between key actuation and unit response. ▲

2. Move the window to the work position (8 or 10 inch opening, model dependent - see data label and first page of this manual). The correct position is reached when the green LED “front window is in work position” illuminates. The side guide rails have markings that define the lower edge of the front window. These markings can be used as an additional orientation aid.
3. Wait until the green LED “airflow is steady” illuminates.
4. The unit is ready for operation.

Operating Modes

The following are the operating modes for this unit.

- OFF mode
- Working mode
- UV mode
- Window open mode
- Standby mode

Off mode means the unit is in an idle state. The unit is turned off (blowers are off). The sample chamber light is enabled. The unit is connected to a power source. The power supply for the internal outlets is enabled when the blue LED “internal power supply on” is lighted.

Window open mode is the state in which the window is open and positioned outside of the working position (8 or 10 inches, model dependent - see data label and first page of this manual). To install or remove accessories, the front window can be moved to the maximum open position. For cleaning, the front window can be lowered beyond the closed position (see Use of the Window, Section 1).

The air system blowers are switched on with the red LED “airflow not steady” lighted. The front window is not in the work position, with the red LED “front window not in work position” is lighted. The sample chamber light is enabled. The power supply for the internal outlets is enabled when the blue LED “internal power supply on” is lighted.

Working mode is active when the front window is in the working position and the air system is operating steadily. The green LEDs “front window is in work position” and “airflow steady” are lighted.

The markings on the side guide rails and the lower edge of the front window are at the same height with no audible alarm signal.

Operating Modes (continued)

The sample chamber light is enabled and power for the internal outlets is enabled when the blue LED “internal power supply on” is lighted.

Standby mode is the state in which the window is closed with the blower velocity reduced. The red LED “front window not in work position”, red LED “airflow not steady” and the blue LED “airflow reduced” are lighted.

The sample chamber illumination is enabled. The internal power supply in the sample chamber is enabled when the blue LED “internal power supply on” is lighted.

The blowers on the biological safety cabinet can be turned off (OFF mode) by pressing and holding the ON key for five seconds until all LEDs are off.

UV mode (lighted yellow LED) means the UV light is on with a set timer running. The window must be in the closed position to protect against UV radiation. The light will not turn on with the window open.

The yellow LED “UV disinfection routine activated” is lighted until the preset time has elapsed. Then, the UV lights turn off automatically, and the status indicator turns off.

The sample chamber illumination is disabled in this mode, as well as the internal power source in the sample chamber.

Loading the Chamber

1. Move the front window to the maximum opening position. This automatically switches the blowers to full speed.
2. Install needed work materials within the sample chamber work area. Avoid blocking the front air intake grille.
3. Move the front window to the work position (the green status indicator Front Window in Work position is illuminated) and wait until the airflow has stabilized (the green status indicator Airflow steady is illuminated).

Warning Personal and product protection is ensured only if the airflow system of the device is working properly. If the alarm system issues a failure message for more than a few minutes while the front window is in work position, stop all applications that may jeopardize worker safety. ▲

4. Load the work tray with samples.
5. For work breaks or for extended experimental phases without manual intervention, switch the device to standby mode by closing the window.

Error Codes

Failure messages are shown on the display as error codes ER 3 to ER 7. If one of these codes appears on the display, contact Technical Services immediately.

To isolate the cause of the failure, perform the following tests.

- Check to see if the exhaust opening on top of the cabinet is blocked.
- Ensure that the in-house exhaust air system is activated, if applicable .
- Close doors and windows in the laboratory to prevent drafts.
- Turn off devices in the vicinity of the biological safety cabinet that cause air turbulence, or emit excessive heat.
- Open flames in the sample chamber may impair airflow conditions.

Working Recommendations

The observance of work rules ensures a minimum of operational safety when handling the biological safety cabinet.

Before starting a procedure, take off all jewellery, put on required personal protective equipment (gloves, goggles, apron), and clean and disinfect the sample chamber surfaces at regular intervals.

During operation:

- Place samples only within the defined work area of the work tray.
- Do not place unnecessary items into the sample chamber.
- Use only disinfected and cleaned accessories for the work process.
- Do not cause air turbulence by quick hand, arm or body movements in the sample chamber or in front of the work opening.
- Do not place accessories into the sample chamber that cause air turbulence or emit excessive heat.
- Do not block air circulation at the ventilation slots of the work tray.

Working (continued)

- A height-adjustable working chair with an adjustable seat back should be used during extended work periods at the cabinet.
- When the forearm rests on the armrest, it should be in a nearly horizontal position.
- When the upper leg is in a horizontal position, the angle between upper and lower leg should not exceed 90°.
- To compensate between the floor and sitting height, a footrest should be used. The minimal effective size of the footrest should be 18 x 14 in (45 x 35 cm). The slope should be adjustable to within a range from 5° to 15°. The adjustable height should extend to a minimum of 4 in (11 cm) above the floor.

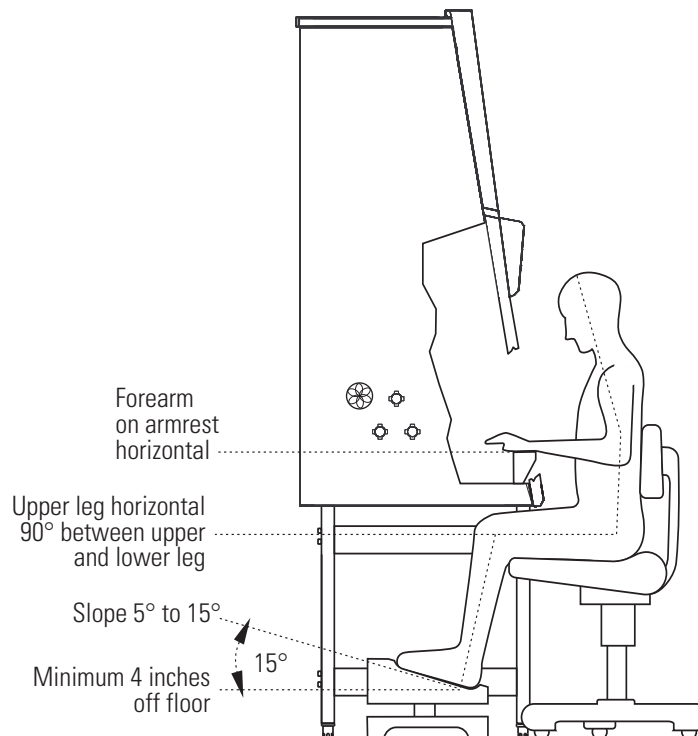


Figure 4-3. Sitting Posture

After completing a procedure,

1. Remove samples from the sample chamber and store them properly.
2. Clean and disinfect the sample chamber surfaces, including the work tray and the drain pan.
3. Clean and disinfect all accessories.

Unit Shut-down

To turn the unit off:

1. Remove all samples from the chamber and store them properly.
2. Remove any accessories from the chamber, and clean and disinfect them.
3. Clean and disinfect the chamber surfaces, work tray, and drain pan.
4. Turn the unit to standby mode by first closing the window. Then press and hold the ON key until the indicators are off (the right indicator segment of the display shows a dot to indicate that voltage is present).

Caution For safety reasons, the blowers can be switched off only when the front window is closed. ▲

Extended Period Shut-down

If the device is not to be used or is to be stored for an extended period of time, it must be completely decontaminated.

Warning To shut the device down, the sample chamber must be disinfected completely and the plenum, including the filters, must be decontaminated using the appropriate and authorized procedures. ▲

1. After the device has been decontaminated, close the window completely.
2. Disconnect the unit from the power source.

Unit Disposal

All components with the exception of the HEPA filters can be discarded after having been thoroughly cleaned and decontaminated. The HEPA filters must be discarded in accordance with the applicable national, state and local regulations for special solid waste.

Warning As this unit can be used for processing and treating infectious substances, it must be decontaminated prior to disposal, in accordance with acceptable standards and procedures.

Section 4
Operation

Section 5 Cleaning / Decontamination

Several procedures can be used for decontaminating the biological safety cabinet. Which procedure is selected, depends on the potential risk imminent in the agents used, and/or the degree of cleanliness required by an experiment or work process.

One possible decontamination procedure is to clean, rinse and dry with a disinfection liquid or spray, and sterile distilled water.

UV disinfection can also be used. It is particularly suited as a more intense disinfection after the above procedure.

Autoclaving (sterilization with steam) can be used for treating the removable stainless steel components. The work tray(s), armrests and paper catch grids are autoclavable components.

Disinfection with formaldehyde can be performed if a sterile sample chamber is required for the work procedure. This sterilization procedure is mandatory before filters are replaced, or before the unit is discarded.

Care and Cleaning of Stainless Steel

Stainless steel is a combination of many different metals including iron and chromium. Iron, the primary element in stainless steel, tends to corrode (rust) when in its natural state. The chromium content in stainless steel prevents corrosion.

Stainless steel is not corrosion or rust proof, just resistant to stains, or stains “less”. The chromium, in the presence of oxygen, forms a tough, invisible, passive layer of chromium oxide film on the steel surface. If damaged mechanically or chemically, this film is self-healing as long as it has enough oxygen. The presence of any liquid or solid that remains in contact with the stainless steel for a prolonged time can prevent oxygen contact and promote corrosion, as can prolonged contact with cleaners or disinfectants containing chlorine, ammonia, iodine or other caustic agents.

Cleaning/Caring for Stainless Steel (cont.)

1. To properly care for stainless steel, use cleaners and disinfectants free of caustic agents such as chlorine, iodine and ammonia.
2. Always follow the application of any cleaner or disinfectant with a *minimum* of two clean distilled water rinses, then a thorough drying with a clean soft cloth. By rinsing with distilled water and drying, any remaining residue is removed from contact with the stainless steel.

Caution Never use abrasive cleaners, scouring pads or steel wool when caring for stainless steel. ▲

If the stainless steel does become stained, corroded or rusted, the iron deposits left on the surface can be removed by neutralizing them with the passivation process. This process uses an acid to neutralize the “free iron” deposits left on the steel where there has been deprivation of oxygen. This stops the spread of the corrosion or rust. It will not return the stainless steel to its original finish.

Cleaning and Caring for Coated Surfaces

All the coated surfaces of this equipment are powder coated. Powder coating is a method of applying a dry powder to electro-statically charged metal, then baked in an oven where the dry powder molecules are melted and fused together. This is by far the most durable finish available today and, if cared for properly, will last for many years. The coated surfaces should be cleaned with a neutral detergent and rinsed twice with clean distilled water, then dried thoroughly with a clean soft cloth. Cleaning or disinfecting coated surfaces without rinsing with clean distilled water and drying thoroughly will result in smearing, streaking and dulling of the coated surfaces. Never use abrasive cleaners, scouring pads or steel wool. If the coated surfaces do become dull, streaked, smeared or marred in some other way, there is no known method to restore the finish.

Disinfection

1. Remove all samples from the chamber and store them properly.
2. Remove accessories from the cabinet and disinfect them using the disinfection procedure recommended by the manufacturer of the accessory.
3. The work tray(s) and stainless steel components can be removed from the chamber and disinfected separately.
4. Clean all chamber surfaces with disinfectant.
5. Do not remove the optional UV lights from the sockets. Clean thoroughly with a damp cloth. Do not saturate. Be sure to dry completely.

Rinsing

1. Rinse all surfaces *twice* with clean distilled water.
2. Discard any liquid from the drain pan. Rinse pan.
3. Dry all chamber surfaces completely.

UV Disinfection After Cleaning

UV disinfection can be performed by using the optional factory installed UV light.

To start the UV disinfection procedure,

1. Close the front window, the air system operates in the reduced mode (blue LED illuminated).
2. Press the UV key on the control panel. The display alternates between dIS and the remaining disinfection time.

To interrupt or cancel the UV disinfection procedure, just press the UV key (the display shows the operating hours) and slide the window up.

Change the UV Disinfection Time

The UV disinfection time is preset. However, this setting can be changed, if required.

1. Turn the unit on and move the window to the work position.
2. Press and hold the UV key until the preset time is displayed.
3. To increase the time, press the internal power supply key. Each time the key is pressed, the time increases by 30 minutes.
4. To reduce the time, press the sample chamber light key. Each time the key is pressed, reduces the time by 30 minutes.
5. To save the value, press the UV key. The display shows the operating hours again.

Note The UV disinfection time is adjustable from 0:00 (disabled) to 24:00 hours. ▲

Microbiological Space Decontamination

NSF/ANSI 49, Annex G recommends a microbiological space decontamination when maintenance work, filter changes, and performance tests require access to any contaminated portion of the cabinet and before the BSC is moved to another location. A microbiological space decontamination may also be required by the BSC owner or user before certification or as a part of their work procedures. NSF/ANSI 49 provides recommended procedures for microbiological space decontamination using formaldehyde and chlorine dioxide. NSF/ANSI 49 also recognizes that alternative methods including the use of vaporized hydrogen peroxide are sometimes validated and approved by BSC owners and users. The appropriate method and procedure should be reviewed and approved by interested parties including the BSC user, institution biological safety officer, and BSC certification and service personnel as appropriate.

Warning Decontamination with formaldehyde and chlorine dioxide must be performed in accordance with the specifications of NSF/ANSI 49, Annex G. As this procedure has considerable risks, it must only be performed by specially trained and authorized service personnel! Before Decontamination with chlorine dioxide, the BSC must be sealed at the exhaust opening and front opening to eliminate exposure to chlorine dioxide, of the power supplies, PCBs and other components under the front canopy as **they are susceptible to damage from the process.** ▲

Thermo Fisher Scientific has developed validated procedures for the decontamination of the Thermo Scientific 1300 Series A2 using the Steris VHP (Vaporized Hydrogen Peroxide) system. These procedures are available on request.

Clean Exterior Surfaces

Clean the exterior surfaces of the cabinet using a solution of tepid water and commercially available mild dishwashing agent. Then, dry all surfaces well, using a soft, clean cloth.

Clean Window

For cleaning, the window can be lowered beyond the closing position (Use of the Window, Section 1).

Creating a gap at the window's upper edge ensures that the upper portion of the window can be cleaned and/or disinfected. Use a commercially available window cleaner to clean the window.

Clean the Drain Pan

Clean the drain pan, using a solution of tepid water and commercially available mild dishwashing agent.

1. Remove the work tray(s) from the chamber.
2. Clean thoroughly to remove any residues and/or deposits.
3. Wipe the drain pan, using a clean cloth and plenty of clean water.
4. Discard any liquid in the drain pan. Rinse and dry thoroughly.

Note After cleaning, make sure that all cleaning product has been removed completely from the drain pan. ▲

5. Re-install the work tray.

Section 5

Cleaning and Decontamination

Clean the Paper Catch Grid

The protective paper catch grids are retained in the airduct wall by their own tension.

1. To remove a grid section, push the retaining tab down until the section can be moved out from under the inner back wall.
2. To install the grid section, first place it on the lip of the back wall, then push the retaining tab down and towards the back until the locking tabs are secured behind the inner back wall.

Caution Do not operate the unit without the paper catch grids installed! ▲

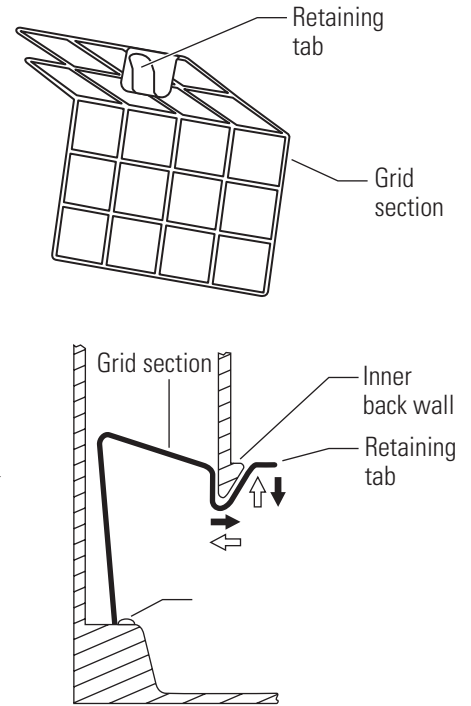


Figure 5-1. Protective Paper Catch Grid

Section 6 Maintenance

The SmartFlow Performance Indicator displays the status of the compensation reserve.

Green indicators show the fan and filters have power and capacity in reserve to respond to additional demands. Yellow or red indicators show that while the cabinet is providing personnel and product protection, maintenance should be scheduled to restore the compensation reserve.

Regardless of the display on the SmartFlow Indicator, the biological safety cabinet should be certified annually.

The annual certification consists of the following checks:

- Electrical safety in accordance with national regulations.
- Functional test of the device.
- Checking all components for possible damage.
- Checking the filter state.
- Verifying device air flows
- Checking the airflow conditions.
- Repeat test in accordance with NSF/ANSI 49.

In addition to the annual certification, Thermo Fisher Scientific offers the following inspection points for your consideration.

- Confirm the unit is within its certification window
- Check and if necessary, clear any debris from under the worktray and paper traps
- Confirm fluorescent and UV (if present) bulbs are clean and working properly
- Ensure all service valves (if applicable) are in working order
- Ensure the counterweight path is clear, unobstructed and the sash can move freely through its full range of travel
 1. As a reminder, Thermo Fisher has specifically designed our sash to jam if the glass attachment point fails. Consequently, if the sash jams or seems sluggish to move, do not use force! Contact your local distributor immediately.

Checking these items on a routine basis, will help to ensure your cabinet is always safe and operating as intended.

Warning The diffuser plate on the chamber ceiling serves as protection for the downflow filter and prevents refluxing of downflow air. When scanning the filter surface for a leak test, the perforated plate must be removed. ▲

Service

As filter replacement is an interference with the safety system of the unit, filters must only be replaced by adequately trained and authorized service personnel.

Warning For any service work in a potentially contaminated section of the biological safety cabinet, the unit must first be decontaminated. ▲

Sample Chamber Lights

The sample chamber is illuminated by one (4 ft units) or two (3, 5 & 6 ft units) fluorescent bulbs. The fluorescent bulbs are installed in the light mounting frame in the sample chamber (Fig. 6-1).

1. Switch the unit off and disconnect it from the power source.
2. Move the window to the cleaning position (below closed position) to ensure a sufficient gap between the window's upper edge and the light dome.
3. The fluorescent bulbs are installed in rotating sockets. To remove, rotate the bulb counterclockwise to disengage the latch and remove it from the sockets.
4. To install, slide the bulb contact pins into the rotating socket grooves and rotate the bulb clockwise to latch the sockets.

Optional UV Lights

The optional, factory installed UV light is installed in the chamber ceiling immediately behind the window. The UV light should be replaced after 1500 operating hours. See Figure 6-1.

1. Turn the unit off and disconnect it from the power source.
2. Move the window to the maximum open position.

Optional UV Lights (Cont.)

3. Wear protective gloves to prevent skin oils from burning into the bulb. The UV bulb is installed in rotating sockets. To remove, rotate the bulb counterclockwise to disengage the latch and remove it from the sockets.
4. To install, slide the bulb contact pins into the rotating socket grooves and rotate the bulb clockwise to latch the sockets.

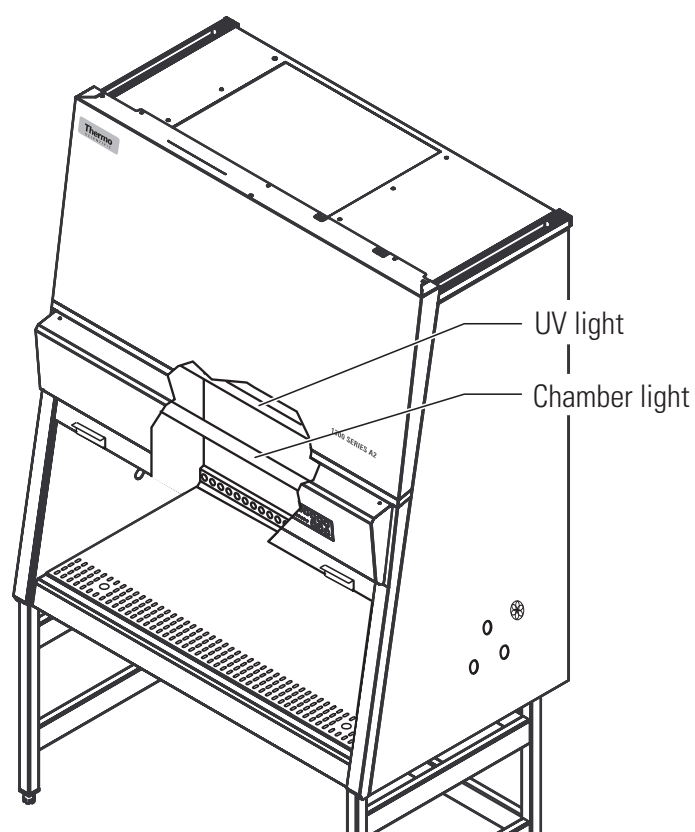


Figure 6-1. Light Replacement

Replacements and Repairs

Caution Remote alarm systems can be retrofitted and integrated into the unit controls. Alarm contacts change state based on window position. Airflow changes from window position could impair personnel and product protection. Installation of these systems should only be performed by authorized service personnel. ▲

Unit Disposal

The entire cabinet with the exception of the HEPA filters can be discarded after having been thoroughly cleaned and decontaminated. The HEPA filters must be discarded in accordance with the applicable national, state and local regulations for special solid waste.

Warning As this unit can be used for processing and treating infectious substances, it may become contaminated. Prior to disposal, the entire unit with filters must be decontaminated in accordance with acceptable standards and procedures. ▲

Volume, weights, and loads			
Description		4ft Models (10" window opening work position) 1345, 1346, 1354, 1355, 1356, 1375, 1376, 1384, 1385, 1386 4ft Models (8" window opening work position) 1305, 1306, 1325, 1326, 1335, 1336, 1395, 1396	6ft Models (10" window opening work position) 1347, 1348, 1357, 1358, 1359, 1377, 1378, 1387, 1388, 1389 6ft Models (8" window opening work position) 1307, 1308, 1327, 1328, 1337, 1338, 1397, 1398
Volume			
Drain pan	l / gal	20 / 5.3	30 / 7.9
Weights			
Cabinet	kg / lb	200 / 441	280 / 617
Stand	kg / lb	26.3 / 58.0	30.0 / 66.1
Loads			
Maximum load on work surface	kg / lb	25 / 55	
Maximum load on overall working area	kg / lb	50 / 110	75 / 165
Ambient conditions (indoor use only)			
Temperature			
Max. ambient temp during operation	°C / °F	40 / 104	
Min. ambient temp during operation	°C / °F	10 / 50	
Humidity			
Max. humidity / operation	% r.H.	90, non-condensing	
Max. humidity / storage	% r.H.	95	
Heat dissipation to environment			
Room temperature 20°C	kJ/s / BTU/s	4ft models 10": 0.2 / 0.19 4ft. models 8": 0.18 / 0.17	6ft. models 10": 0.4 / 0.38 6ft. models 8": 0.36 / 0.34
Room temperature rise			
Above room temp with window closed	°K	< 2	< 2
Ergonomics			
Noise level*	dB(A)	4ft. models 10": 63, ±2 4ft. models 8": 62, ±2	6ft models 10": 65, ±2 6ft. models 8": 64, ±2

*The noise level was determined in accordance with NSF/ANSI 49. The measurement uncertainty is within a range of ± 2 dB.

Section 7
Specifications

Volume, weights, and loads			
Description		3ft Models (10" window opening work position) - 1320, 1321, 1322, 1323, 1330, 1331, 1332, 1333	5ft Models (10" window opening work position) - 1368, 1369, 1370, 1371, 1380, 1381, 1382, 1383
		3ft Models (8" window opening work position) - 1339, 1340, 1341, 1342, 1390, 1391, 1392, 1393	5ft Models (8" window opening work position) - 1350, 1351, 1352, 1353, 1366, 1367, 1372, 1373
Volume			
Drain pan	l / gal	15 / 4.0	25 / 6.6
Weights			
Cabinet	kg / lb	170 / 375	230 / 507
Stand	kg / lb	24.4 / 53.8	28.1 / 62.0
Loads			
Max. load on single work surface module	kg / lb	25 / 55	
Maximum load on overall working area	kg / lb	50 / 110	75 / 165
Ambient conditions (indoor use only)			
Temperature			
Max. ambient temp during operation	°C / °F	40 / 104	
Min. ambient temp during operation	°C / °F	10 / 50	
Humidity			
Max. humidity / operation	% r.H.	90, non-condensing	
Max. humidity / storage	% r.H.	95	
Heat dissipation to environment			
Room temperature 20°C	kJ/s / BTU/s	3ft models 10": 0.17 / 0.16 3ft. models 8": 0.15 / 0.14	5ft. models 10": 0.31 / 0.29 5ft. models 8": 0.28 / 0.27
Room temperature rise			
Above room temp with window closed	°K	< 2	< 2
Ergonomics			
Noise level*	dB(A)	3ft. models 10": 63, ±2 3ft. models 8": 62, ±2	5ft. models 10": 65, ±2 5ft. models 8": 64, ±2

*The noise level was determined in accordance with NSF/ANSI 49. The measurement uncertainty is within a range of ± 2 dB.

Electrical data

**Models
(Nominal voltages ±10%)**

120V Models - 4 ft / 6 ft	230V Models - 4 ft / 6 ft
1305, 1307, 1325, 1327, 1335, 1337, 1345, 1355, 1375, 1385 / 1347, 1357, 1377, 1387, 1395, 1397	1306, 1308, 1326, 1328, 1336, 1338, 1346, 1354, 1356, 1376, 1384, 1386 / 1348, 1358, 1359, 1378, 1388, 1389, 1396, 1398
120V Models - 3 ft / 5 ft	230V Models - 3 ft / 5 ft
1320, 1321, 1322, 1323, 1339, 1340, 1341, 1342, 1350, 1351, 1352, 1353, 1368, 1369, 1370, 1371	1330, 1331, 1332, 1333, 1366, 1367, 1372, 1373, 1380, 1381, 1382, 1383, 1390, 1391, 1392, 1393

Voltage

Rated voltage V 1/N/PE AC, 120V, 50/60 Hz 1/N/PE AC, 230V, 50/60 Hz

Blower voltage V 48 V DC

Current

Power consumption maximum A 8 / 10 7 / 8

**Leakage current IEC 61010-1,
UL61010-1** mA < 3.5

Motherboard fusing A 2 x T 15 A

Outlet fusing A 2 x T 5 A

On-site fusing A Circuit breaker 15 A / Fuse T 15 A

Power

Power input maximum * W 1130 / 1700 1440 / 2000

Protection

Protection class I

Protection type IP 20

**Overvoltage category (IEC 61010-1,
UL61010-1)** II

**Contamination degree (IEC 61010-1,
UL61010-1)** 2

Connecting lines

Mains connection Power Cord (>3 m / 10 ft)
with NEMA 5-15 plug CEE 7/7 Plug

* With additional 5A load on cabinet receptacles, blowers at 100% and cabinet lighting switched on.

Section 7
Specifications

Airflow system			
Description		4ft Models (10" / 8" window opening work position) 1305, 1306, 1325, 1326, 1335, 1336, 1345, 1346, 1354, 1355, 1356, 1375, 1376, 1384, 1385, 1386, 1395, 1396	6ft Models (10" / 8" window opening work position) 1307, 1308, 1327, 1328, 1337, 1338, 1347, 1348, 1357, 1358, 1359, 1377, 1378, 1387, 1388, 1389, 1397, 1398
Airflows / Airflow velocities			
Inflow	m/s		0.53
	ft/min		105
Downflow	m/s		0.32
Downflow	ft/min		63
Air volume			
Overall volume flow	m ³ /h (10"/8")	1415 / 1298	2122 / 1947
	ft ³ /min (10"/8")	833 / 764	1249 / 1146
Downflow volume flow	m ³ /h (10"/8")	829	1244
	ft ³ /min (10"/8")	488	732
Exhaust air volume flow	m ³ /h (10"/8")	585 / 468	878 / 702
	ft ³ /min (10"/8")	344 / 276	517 / 413
Filters			
Type			HEPA
Material			Fiberglass
Separability in MPPS	%		99.995
Separability at 0,3 µm particle size	%		99.999
Downflow			
Height	mm / in		457 / 18
Length	mm / in	1220 / 48	1830 / 72
Depth	mm / in		107 / 4.2
Exhaust air			
Height	mm / in	610 / 24	457 / 18
Length	mm / in	457 / 18	915 / 36
Depth	mm / in		130 / 5.1

Airflow system			
Description		3ft Models (10" / 8" window opening work position) - 1320, 1321, 1322, 1323, 1330, 1331, 1332, 1333, 1339, 1340, 1341, 1342, 1390, 1391, 1392, 1393	5ft Models (10" / 8" window opening work position) - 1350, 1351, 1352, 1353, 1366, 1367, 1368, 1369, 1370, 1371, 1372, 1373, 1380, 1381, 1382, 1383
Airflows / Airflow velocities			
Inflow	m/s		0.53
	ft/min		105
Downflow	m/s		0.32
	ft/min		63
Air volume			
Overall volume flow	m ³ /h (10"/8")	1061 / 973	1768 / 1622
	ft ³ /min (10"/8")	625 / 573	1041 / 955
Downflow volume flow	m ³ /h (10"/8")	622	1037
	ft ³ /min (10"/8")	366	610
Exhaust air volume flow	m ³ /h (10"/8")	439 / 351	732 / 585
	ft ³ /min (10"/8")	258 / 207	431 / 344
Filters			
Type			HEPA
Material			Fiberglass
Separability in MPPS	%		99.995
Separability at 0,3 µm particle size	%		99.999
Downflow			
Height	mm / in		457 / 18
Length	mm / in	915 / 36	1525 / 60
Depth	mm / in		107 / 4.2
Exhaust air			
Height	mm / in	610 / 24	457 / 18
Length	mm / in	457 / 18	915 / 36
Depth	mm / in		130 / 5.1

Section 7
Specifications

Section 8 Certification Testing

Classification of the Safety Cabinet

For application in the USA, the unit has been rated as a Class II safety cabinet, Type A2, in accordance with NSF/ANSI 49.

For operation as a unit of said classifications, a certification test and repeat test in accordance with NSF/ANSI 49, Annex F should be completed at the time of installation, and at least annually thereafter. As described in Annex F, recertification should be performed whenever HEPA filters are changed, maintenance repairs are made to internal parts, or the cabinet is relocated. More frequent recertification should be considered when working with safety-critical materials (three to six months).

Test Terms

Nominal value:

Default value as specified by Thermo Fisher Scientific.

Measured value:

Value measured at the location of the safety cabinet.

Tolerance:

Acceptable deviation from the nominal value.

Average value:

The sum of the measuring values divided by the number of tests. The average value is compared to the nominal value.

Setpoint:

Acceptable operating value for the inflow and downflow velocities.

Inflow velocity (FPM):

Velocity of the air entering the sample chamber opening.

Downflow velocity (FPM):

Velocity of the displacement flow circulating through the work chamber.

Exhaust velocity (FPM):

Velocity of the airflow discharged through the exhaust filter opening.

Exhaust airflow volume (CFM):

Amount of air discharged at the exhaust filter.

Testing

According to NSF/ANSI 49, tests related to the safety of the personnel, product and environment that must be conducted on-site for Class II, Type A2 biological safety cabinets, at a minimum frequency of annually, are;

- Inflow velocity test
- Downflow velocity profile test
- Airflow smoke patterns test
- HEPA filter leak test
- Site installation assessment tests
 - Alarm functions
 - Exhaust system performance (proper exhaust duct negative pressure and canopy performance).

As described in NSF/ANSI 49, Normative Annex 5, in addition to the above, the following tests performed at the request of the customer, or at the discretion of the certification provider.

- Comfort and safety tests
 - Lighting intensity
 - Noise level
 - Vibration
 - Electrical leakage, ground circuit resistance and polarity tests

Note Service with costs:

Unless certification was expressly called for in the specification, quotes and/or purchase order, the cost for this on-site testing is to be paid for by the customer. ▲

Test Equipment

For conducting these tests, Thermo recommends testing equipment of the manufacturers listed below.

Testing equipment	Manufacturer	Application
Smoke tubes	MSA Pittsburgh, Pennsylvania, 15230	Airflow pattern test
Thermoanemometer	TSI Shoreview, Minnesota 55126	Downflow velocity test and alternate method for inflow velocity using constricted access
Digital Safety Inspector	Ohmic Instruments Co. Easton, Maryland 21601	Electrical leakage and ground resistance tests
GFI Circuit Tester	Leviton Manufacturing Little Neck, New York, 11362	Electrical leakage, ground resistance, and polarity tests
Photometer	Air Techniques Owing Mills, Maryland, 21117	Filter leak test
Aerosol Generator	Air Techniques Owing Mills, Maryland, 21117	Generation of aerosol mist
Vibration Meter	Quest Technologies Oconomowoc, Wisconsin, 53066	Vibration test
Flow Hood Air Data Multimeter	Shortridge Instruments. Inc. Scottsdale, Arizona, 85260	Inflow velocity test

Testing Information

Inflow Velocity – DIM Method (Primary)

Description: Inflow velocity using the direct inflow measurement method (DIM).

Equipment: . . .Shortridge ADM-870, or equivalent
.Flow hood Series 8400, or equivalent

Method:

1. Move the front window to the work position (25.4 cm/10 in. or 20.3 cm/8 in., depending on model).
2. Attach the flow hood [1] in the work opening [2] and seal the remaining open areas.
3. Operate the system blowers for approx 20 min.
4. Place the cabinet in service mode.
5. Record at least 5 measurements of the inflow air volume.

Testing Information (continued)

- Average those readings and calculate the inflow velocity (V1) as described below.

Inflow Area:

- 3ft Models (10" window opening work position) 1320, 1321, 1322, 1323, 1330, 1331, 1332, 1333: Front opening 2.46 sq ft
3ft Models (8" window opening work position) 1339, 1340, 1341, 1342, 1390, 1391, 1392, 1393: Inflow area for 8" models: 1.97 sq ft
- 5ft Models (10" window opening work position) 1368, 1369, 1370, 1371, 1380, 1381, 1382, 1383: Front opening 4.10 sq ft
5ft Models (8" window opening work position) 1350, 1351, 1352, 1353, 1366, 1367, 1372, 1373: Inflow area for 8" models: 3.28 sq ft
- 4ft Models (10" window opening work position) 1345, 1346, 1354, 1355, 1356, 1375, 1376, 1384, 1385, 1386: Front opening 3.28 sq ft
4ft Models (8" window opening work position) 1305, 1306, 1325, 1326, 1335, 1336, 1395, 1396: Inflow area for 8" models: 2.62 sq ft
- 6ft Models (10" window opening work position) 1347, 1348, 1357, 1358, 1359, 1377, 1378, 1387, 1388, 1389: Front opening 4.92 sq ft
6ft Models (8" window opening work position) 1307, 1308, 1327, 1328, 1337, 1338, 1397, 1398: Inflow are for 8" models: 3.93 sq ft

Calculation:

- Inflow Velocity (V1) = Inflow Air Volume (V2)/Actual Inflow Area (A2)

Acceptance:

- 100 – 110 FPM

Correction measures:

- From within the service level, change S2 until the desired velocity is reached and save the new value.
- If the velocity can't be increased sufficiently due to clogging of the filters, change the exhaust filter. Normally, both the downflow and exhaust filters are replaced together.
- If the filter is in order, inspect the exhaust filter and plenum installation and change the exhaust blower if needed.

Note Check of alarm limits: If S1 or S2 are changed, the alarm limits S3 and S4 must be checked and saved again. ▲

Testing Information (continued)

Set Inflow Velocity Alarm – DIM (Primary)

Description:

- Verify or set Inflow velocity alarm using the direct inflow measurement method (DIM).

Equipment:

- Shortridge ADM-870, or equivalent
- Flow hood Series 8400, or equivalent

Method:

1. Using the inflow area previously identified for the model under test, calculate the inflow volume for an inflow velocity alarm value of $95 \text{ fpm} \pm 3 \text{ fpm}$.

Calculation:

Inflow Alarm Air Volume Lower Limit (V2) = $92 \text{ fpm} \times \text{Actual Inflow Area (A2)}$

Inflow Alarm Air Volume Upper Limit (V2) = $98 \text{ fpm} \times \text{Actual Inflow Area (A2)}$

2. With the DIM sealed to the front opening, select S4, change S4 until the desired inflow volume is between the lower and upper limits the inflow alarm value. Note and save the new value. It is important to note the value as it must be re-entered if downflow values change.
3. Exit Service Mode.

Inflow Velocity – Constricted Window Method (Secondary)

Description:

- Inflow velocity measured over several points through a constricted window.

Equipment:

- Thermal Anemometer, or equivalent (hotwire)
- Anemometer Probe Holder, part number 1911325

Testing Information (continued)

Method:

1. Lower the front window to a height of 3 in. (7.6 cm).
2. Operate the system blowers for approximately 20 minutes.
3. Place the cabinet in service mode.
4. **Fig. 8-1:** Insert the thermal anemometer probe into the probe holder. Place the probe holder at the window opening work surface, ensuring it is seated properly. Adjust the probe so the air passing through probe is centered in the window opening (1.5 in. [3.8 cm]).
5. Beginning 3.0 inches in from the left inside wall, record successive readings every 5.9 inches (6 readings for 3 ft, 8 readings for 4 ft, 10 readings for 5 ft, and 12 readings for 6 ft models).
6. Average those readings and calculate the inflow velocity (V1) as described below.

Calculation:

Inflow velocity (V1) = average of actual constricted inflow velocity

* K factor * 0.3 for 10" window opening work position, 0.375 for 8" window opening work position.

Acceptance:

- 100 – 110 FPM

NOTE: The thermoanemometer probe must be positioned at a 10° angle from front vertical and located on the same plane as the inside of the window glass.

Multiply the K factor by the average velocity reading (V1).

K factor = 1.0700 for 3 ft w/ 10" opening, 1.0775 for 3 ft w/ 8" opening.

K factor = 1.0400 for 4 ft w/ 10" opening, 1.0200 for 4 ft w/ 8" opening.

K factor = 1.0450 for 5 ft w/ 10" opening, 1.0550 for 5 ft w/ 8" opening.

K factor = 1.0670 for 6 ft w/ 10" opening, 1.0300 for 6 ft w/ 8" opening

Refer to the data plate on the lower right corner of the unit face.

Testing Information (continued)

Set Inflow Velocity – Constricted Window Method (Secondary)

Description:

- Verify or set Inflow velocity alarm using the constricted access alternative method.

Equipment:

- Thermal Anemometer, or equivalent (hotwire)
- Anemometer Probe Holder, part number 1911325

Method:

1. Lower the front window to a height of 3 in. (7.6 cm).
2. Operate the system blowers for approximately 20 minutes.
3. Place the cabinet in service mode.
4. **Fig 8-1:** Insert the thermal anemometer probe into the probe holder. Place the probe holder at the window opening work surface, ensuring it is seated properly. See Figure 8-1. Adjust the probe so the air passing through probe is centered in the window opening (1.5 in. [3.8 cm]).
5. Beginning 3.0 inches in from the left inside wall, record successive readings every 5.9 inches (6 readings for 3 ft, 8 readings for 4 ft, 10 readings for 5 ft, and 12 readings for 6 ft models).
6. Average those readings and determine whether the constricted average falls within the range as calculated below.

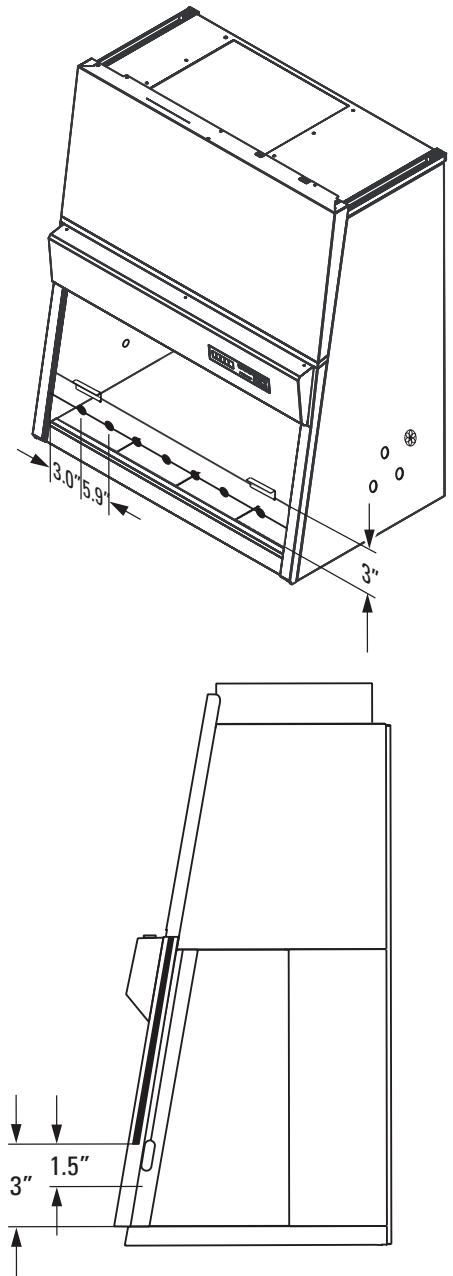


Figure 8-1. Constricted Window Method

Testing Information (continued)

Calculation:

Inflow Alarm Lower Limit for Constricted Measurement (V2) = 92 fpm ÷ (K factor * 0.3 for 10" window opening work position, 0.375 for 8" window opening work position)

Inflow Alarm Upper Limit for Constricted Measurement (V2) = 98 fpm ÷ (K factor * 0.3 for 10" window opening work position, 0.375 for 8" window opening work position)

Change S4 until the constricted inflow velocity is between the lower and upper limits. Note and save the new value. It is important to note the value as it must be re-entered if downflow values change.

Exist Service Mode

Downflow Velocity – Uniform Cabinet

Description:

- Measures the velocity of air flow onto the work surface through the supply filter.

Equipment:

- Thermal Anemometer, or equivalent (hotwire)
- Freestanding Fixture, or equivalent

Method:

1. Operate the unit in the work position for approximately 20 minutes.
2. Put the cabinet into service mode.
3. Insert the anemometer probe into the probe stand, adjusting for a height of 4 inches (10 cm) above the bottom edge of the window opening while in the work position.
4. Record the readings on a horizontal plane 4 inches (10 cm) above the bottom edge of the window opening while in the work position, in a grid pattern not to exceed 6 inches (15 cm) x 6 inches (15 cm).

Grid Pattern:

- 3 ft Models - 1320, 1321, 1322, 1323, 1330, 1331, 1332, 1333, 1339, 1340, 1341, 1342, 1390, 1391, 1392, 1393

21 points

										6
										5.5
										6
6	3.9	3.9	3.9	3.9	3.9	3.9	6			inches

5.7 for
8 in.
opening

- 4 ft Models 1307, 1308, 1327, 1328, 1337, 1338, 1347, 1348, 1357, 1358, 1359, 1377, 1378, 1387, 1388, 1389, 1397, 1398

21 points

										6
										5.5
										6
6	5.88	5.88	5.88	5.88	5.88	5.88	6			inches

5.7 for
8 in.
opening

- 5 ft Models - 1350, 1351, 1352, 1353, 1366, 1367, 1368, 1369, 1370, 1371, 1372, 1373, 1380, 1381, 1382, 1383

27 points

										6
										5.5
										6
6	5.87	5.87	5.87	5.87	5.87	5.87	5.87	6		inches

5.7 for
8 in.
opening

- 6 ft models (1307 / 1308 / 1327 / 1328 / 1337 / 1338 / 1347 / 1348 / 1357 / 1358 / 1359 / 1377 / 1378 / 1387 / 1388 / 1389 / 1397 / 1398)

33 points

											6
											5.5
											6
6	5.88	5.88	5.88	5.88	5.88	5.88	5.88	5.88	5.88	6	inches

5.7 for
8 in.
opening

Calculation:

- Average Downflow Velocity = Sum of all measurements / Number of readings

Correction measures:

- Enter the service level and activate S1, change S1 until the desired velocity is reached and save the new value.
- If the velocity can't be adjusted due to clogging of the filters, change the supply filter.
- If the filter is in order, change the supply blower.

Testing Information (continued)

NOTE! Check of alarm limits:

If S1 or S2 are changed, the alarm limits S3 and S4 have to be checked and saved again.

Set Downflow Velocity Alarm

Description:

- Verify or set Downflow velocity alarm.

Equipment:

- Thermal Anemometer, or equivalent (hotwire)
- Freestanding Fixture, or equivalent

Method:

1. Lower the front window to a height of 3 in. (7.6 cm).
2. Operate the system blowers for approximately 20 minutes.
3. Place the cabinet in service mode.
4. Based on the downflow measurements that have been taken select a representative location and using the free standing fixture place the anemometer at the measurement position at that location.
5. Note the reading.
6. Calculate a value 20% less than the current reading.
7. Select S3.
8. Change S3 until the reference reading is 20% less than the original reading.
9. If necessary, reenter the inflow alarm setting for S4. (This must be done if S1 was changed after S4 was entered.
10. Exit Service Mode.

HEPA Filter Leak Test

HEPA Filter Leak Test

Description:

- Determines the integrity of the downflow and exhaust filters.

Equipment:

- Aerosol Photometer, or equivalent.
- Aerosol Generator, or equivalent

HEPA Filter Leak Test (Continued)

Filters that can be accessed and scanned.

Method:

1. Allow the cabinet to operate for approximately 20 minutes.
2. Remove the work tray and protective covers, as appropriate.
3. Introduce the aerosol from the generator in the center rear of the work area, using a tee fitting to evenly distribute the aerosol.
4. If desired, and if the cabinet has not been used with hazardous materials since an effective decontamination, the upstream concentration can be measured. If desired, connect the photometer sample hose to the appropriate (supply or exhaust) test hose connection (exhaust test hose - right side / supply test hose - left side) from under the work tray.
5. Using either the appropriate upstream challenge measurement or calculated challenge value, set the photometer accordingly.
6. Scan the downstream side and perimeter of the filter as prescribed in NSF/ANSI 49-2019, Annex N.5.

Acceptance:

- Filters scanned – 0.01% of upstream concentration at any point.

Filters that cannot be accessed and scanned.

Method:

1. Set up as in steps 1 through 5 above.
2. In the duct, downstream of the filter, sample in accordance with NSF/ANSI Standard 49, 2019.

Acceptance:

- Filters not scanned – 0.005% of upstream concentration.

Airflow Smoke pattern Test

Description:

- These four tests determines the internal and external behavior of the air movement.

Equipment:

- Cold smoke (titanium tetrachloride or alternative)

Downflow Method and Acceptance

Method:

- Pass smoke from right to left along the centerline (front to back) of the work surface, 4 inches (10 cm) above the top of the work opening.

Acceptance:

- Smoke shall show smooth downward flow with no dead spots or upward flow.

Sash retention method and acceptance (formerly view screen retention)

Method:

- Pass smoke from right to left 1 inch (2.5 cm) behind the window opening, 6 inches (15 cm) above the top of the work opening.

Acceptance:

- Smoke shall show smooth downward flow with no dead spots or upward flow. No smoke shall escape from the cabinet.

Work opening edge method and acceptance

Method:

- Pass smoke along the entire perimeter of the work opening edges, approximately 1.5 inches (3.8 cm) in front of the cabinet.

Acceptance:

- No smoke shall be refluxed out of the cabinet once drawn in. No smoke shall billow over the solid work surface or penetrate onto it.

Sash seal method and acceptance

Method:

- Pass smoke up both sides and across the top of the window opening from inside the work area, approximately 2 inches (5 cm) from the edges starting and ending 6 inches above the bottom edge of the sash.

Acceptance:

- No smoke shall escape the cabinet.

Site Installation Assessment Tests

Description:

- Verify the unit is integrated properly into the facility.

Internal Supply/Exhaust Fan Interlock Alarm Test

Description:

- Verify the downflow fan(s) are interlocked to shut down and alarm should the internal exhaust fan be interrupted.

Equipment:

- N/A

Method:

- Interrupt exhaust fan operation by disconnecting the exhaust fan power connection. It is under the front cosmetic panel, at top right. It is the first (top) of four potentially four connections.

Acceptance:

- Within 15 seconds audible and visual airflow alarms will signal. The cabinet supply fan will be de-energized

Inflow maintenance on thimble connected units

Description:

- Verify the inflow does not drop below 92 fpm should the external exhaust system fail for thimble connected BSCs where the thimble is not an NSF listed accessory.

Equipment:

- Shortridge ADM-870 or equivalent
- Flowhood series 8400 or equivalent

Method:

- Properly install a DIM airflow capture device to the front of the thimble connected BSC.
- Deenergize or block the external exhaust drawing from the thimble.

Acceptance:

- The measured inflow must not drop below 92 fpm (0.467 m/s).

Site Installation Assessment Tests (cont.)

Sash Alarms

Description:

- Verify the window alarms are operating properly.

Equipment:

- Operating manual

Method:

- Raise the window 1 inch (2.5 cm) above work position.

Acceptance:

- Window alarm activates.

Exhaust system performance

Description:

- Verify the exhaust system is functioning properly

Canopy Connections

Equipment:

- Cold smoke (titanium tetrachloride)

Method:

- Introduce a smoke source into the intake on the side of the Thermo Scientific thimble connection. If the external exhaust flow is greater than the cabinet exhaust (as required), smoke will be drawn in. This demonstrates containment.
- Slowly reduce external exhaust volume.
- Pressure exist.

Acceptance:

- Audible and visual alarms on the Exhaust Alarm Monitor should signal before 15 seconds has elapsed after smoke is not being contained.

THERMO FISHER SCIENTIFIC LAMINAR FLOW EQUIPMENT WARRANTY USA

The Warranty Period starts two weeks from the date your equipment is shipped from our facility. This allows shipping time so the warranty will go into effect at approximately the same time your equipment is delivered. The warranty protection extends to any subsequent owner.

During the first thirty-six (36) months, component parts proven to be non-conforming in material or workmanship will be repaired or replaced at Thermo's expense, including labor. Installation, calibration and certification is not covered by this warranty agreement. The Technical Services Department must be contacted for warranty determination and direction prior to performance of any repairs. Expendable items, glass, filters and gasket are covered by this warranty to the extent that Thermo Fisher Scientific determines that they were defective at the time of delivery to the carrier.

Replacement or repair of component parts or equipment under this warranty shall not extend the warranty to either the equipment or to the component part beyond the original warranty period. The Technical Services Department must give prior approval for return of any component or equipment. At Thermo's option, all non-conforming parts must be returned to Thermo postage paid and replacement parts are shipped FOB destination.

THIS WARRANTY IS EXCLUSIVE AND IN LIEU OF ALL OTHER WARRANTIES, WHETHER WRITTEN, ORAL, OR IMPLIED. NO WARRANTIES OF MERCHANTABILITY OR FITNESS FOR A PARTICULAR PURPOSE SHALL APPLY. Thermo shall not be liable for any indirect or consequential damages including, without limitation, damages to lost profits or loss of products.

Your local Thermo Sales Office is ready to help with comprehensive site preparation information before your equipment arrives. Printed instruction manuals carefully detail equipment installation, operation and preventive maintenance.

If equipment service is required, please call your Technical Services Department at 1-800-438-4851 (USA and Canada) or 1-740-373-4763. We're ready to answer your questions on equipment warranty, operation, maintenance, service, and special applications. Outside the USA, contract your local distributor for warranty information.

Rev. 0 4/12



THERMO FISHER SCIENTIFIC LAMINAR FLOW EQUIPMENT WARRANTY INTERNATIONAL

The Warranty Period starts two months from the date your equipment is shipped from our facility. This allows shipping time so the warranty will go into effect at approximately the same time your equipment is delivered. The warranty protection extends to any subsequent owner.

During the first thirty six (36) months, component parts proven to be non-conforming in material or workmanship will be repaired or replaced at Thermo's expense, excepting labor. Installation, calibration and certification is not covered by this warranty agreement. The Technical Services Department must be contacted for warranty determination and direction prior to performance of any repairs. Expendable items, glass, filters and gaskets are excluded from this warranty.

Replacement or repair of component parts or equipment under this warranty shall not extend the warranty to either the equipment or to the component part beyond the original warranty period. The Technical Services Department must give prior approval for return of any component or equipment. At Thermo's option, all non-conforming parts must be returned to Thermo postage paid and replacement parts are shipped FOB destination.

THIS WARRANTY IS EXCLUSIVE AND IN LIEU OF ALL OTHER WARRANTIES, WHETHER WRITTEN, ORAL, OR IMPLIED. NO WARRANTIES OF MERCHANTABILITY OR FITNESS FOR A PARTICULAR PURPOSE SHALL APPLY. Thermo shall not be liable for any indirect or consequential damages including, without limitation, damages to lost profits or loss of products.

Your local Thermo Sales Office is ready to help with comprehensive site preparation information before your equipment arrives. Printed instruction manuals carefully detail equipment installation, operation and preventive maintenance.

If equipment service is required, please call your Technical Services Department at 1-800-438-4851 (USA or Canada) or 1-740-373-4763. We're ready to answer your questions on equipment warranty, operation, maintenance, service, and special applications. Outside the USA, contract your local distributor for warranty information.

Rev. 5 4/09



Thermo Fisher Scientific Inc.
401 Millcreek Road
Marietta, Ohio 45750
United States

www.thermofisher.com