

NWT LIS TIP OF THE WEEK

Module: SoftLabMic

Software Version: 4.0.8

Topic: PM45 Label Printers

Issued On: 2024-01-13

Distribution: All Users

Page: 1 of 1

Issued By: Lena Schofield, Territorial LIS Administrator

TOPIC/QUESTION: What settings do I use for the Honeywell PM45 label printers?

ANSWER/TIP: You can set the settings for label printers from a webpage (Edge, Chrome or Firefox).

At the bottom of the screen on the label printer, you will see an IP address. In the address bar of the web browser type https:// then the IP address, e.g. <https://172.16.49.180>

When you click a menu item, you will be asked to login :

Username: admin

Password: pass

The most important setting is the Command Language, this MUST be IPL or labels will not print at all. Custom settings are shown in bold text, otherwise the default setting is used.

Setting	Value	Comments
Configure > System Settings > General		
System Name	PM45-SerialNumber	
System Location	Name of Printer in LIS	
System Contact	LIS Admin 46694	
XML Response Mode	False	
Display Language	English	
Display Language (Web Page)	English	
Keyboard Input	U.S./U.K.	
Time		
Date		
Power		
Sleep Timer	15 Minutes	
Command Language	IPL	If this is anything else, labels will not print!
Alert Notification Method	SNMP Trap+Email	
Unit of Measure	mm	Set to mm for the other settings to be set consistently
Zero with Slash	Disable	
Time Zone	(UTC 00:00) Universal Time	
DST Adjust	Disable	
Legacy Mode	Disable	

NWT LIS TIP OF THE WEEK

Configure > Printing > Media		This is specific for the size and type of labels we use
Media Type	Media With Gaps	A sensor under the labels scans for the gaps between labels
Print Method	No Ribbon (DT)	Controls the feed mechanism
Print Area		
Media Margin (X)	4-7 mm	Left margin
Media Width	50 mm	Label width
Media Length	~25 mm	Label length, the printers seem to add a decimal within 1mm.
<p><i>**Our labels have a lot of information and it is a tight fit. The labels themselves have about 1mm of leeway on the backing, so sometimes the bottom or top is off by about 1mm. If you make the size much greater than 25mm, you'll likely have some blank labels between those with print.</i></p>		
Clip Default	On	
Peel Strength	Low	
Media Calibration Mode	Slow	
Length (Slow Mode)	0 mm	
Action		
Power Up Action	Smart Calibration	This feeds a few labels for the printer to check and measure the media gaps
Head Down Action	Smart Calibration	
Hold Feed Button Action	Smart Calibration	
Label Counter		
Media Out Immediate Stop	Disable	
Configure > Printing > Print Quality		This controls how darkly the text and barcode print
Print Speed	102 mm/sec	
Media Sensitivity	High	
Darkness	100	
Contrast	10%	
Label Rotation	0 deg	

***If you change the settings more than a couple of mms, let an LIS Administrator know, we will update this document and apply the setting to other label printers. If you don't let us know, we may reset to default and return the settings to what is shown in this document.*

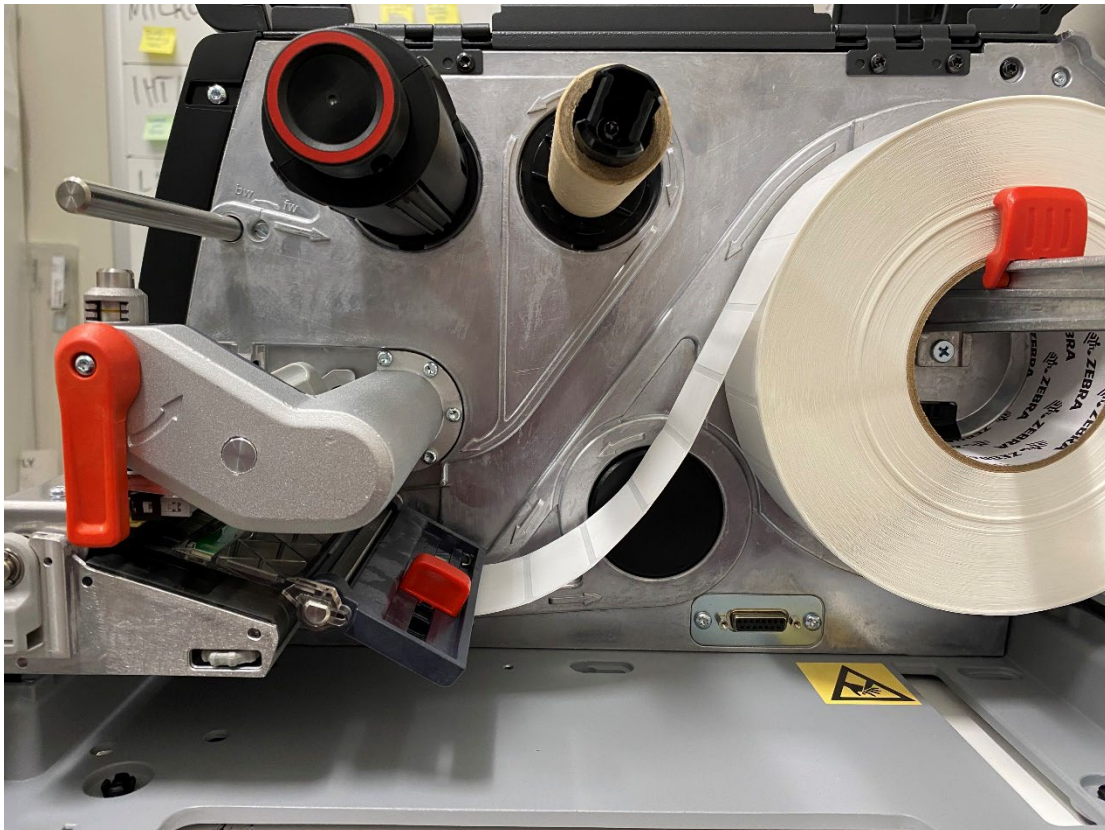
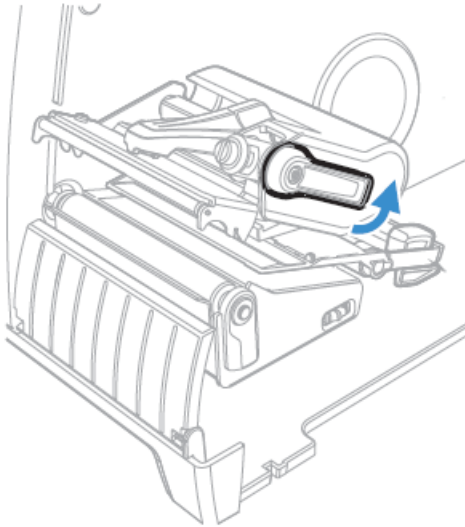
NWT LIS TIP OF THE WEEK

How do I load labels?

1. Open the media cover.
2. Turn the printhead lift lever counterclockwise to raise the printhead.



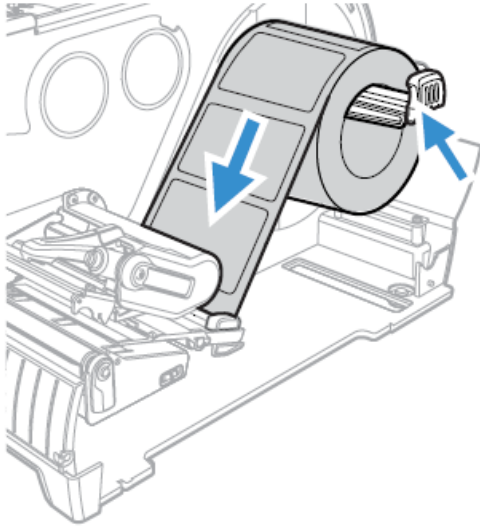
Warning: The tear bar contains sharp edges. Keep fingers and other body parts away from the tear bar.



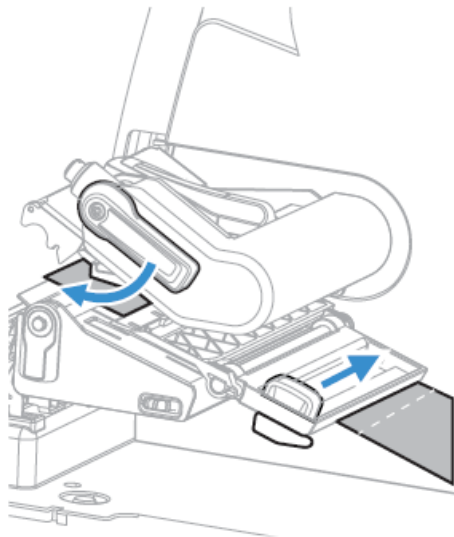
NWT LIS TIP OF THE WEEK

3. Load the media roll onto the media supply hub.

Note: Make sure you push the roll all the way against the inner wall of the printer.



4. Route the media through the print mechanism.
5. Adjust the media and dancer guides to hold the media in place. Adjust the printhead balance.
6. Adjust the label gap and black mark sensor by turning the sensor adjustment knob. The sensor blue LED should line up with the center of the media.
7. Turn the printhead lift lever clockwise to close the printhead.



8. The media is automatically advanced once you lock the printhead in place.

NWT LIS TIP OF THE WEEK

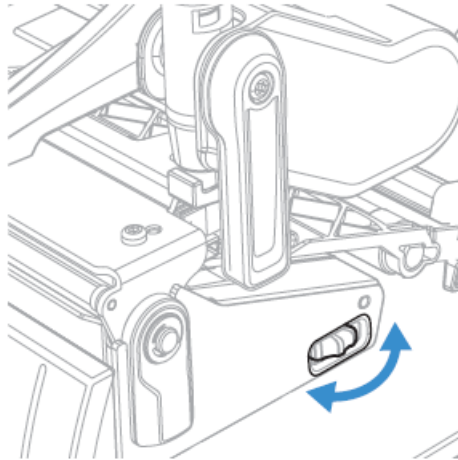
What if it says “Out of Media” even though there are labels? Adjust the blue LED sensor as described below:

Label Gap and Black Mark Sensor Adjustments

The label gap sensor is a transmissive sensor that controls how the printer feeds media by detecting gaps between the labels. The black mark sensor is a reflective sensor that detects black marks on continuous media.

The sensor contains a blue LED that is strong enough to see through media. You can use the blue LED to help determine the proper location for the sensor.

1. Open the media cover.
2. Adjust the label gap and black mark sensor:
 - Turn the sensor adjustment knob counterclockwise to move the sensor toward the outside of the printer.
 - Turn the sensor adjustment knob clockwise to move the sensor toward the inside of the printer.



3. Close the media cover.

